

MEETING BOX

ASSEMBLY INSTRUCTIONS



 **INSTRUCTIONS
DE MONTAGE**
ASSEMBLY INSTRUCTIONS



MEETING BOX

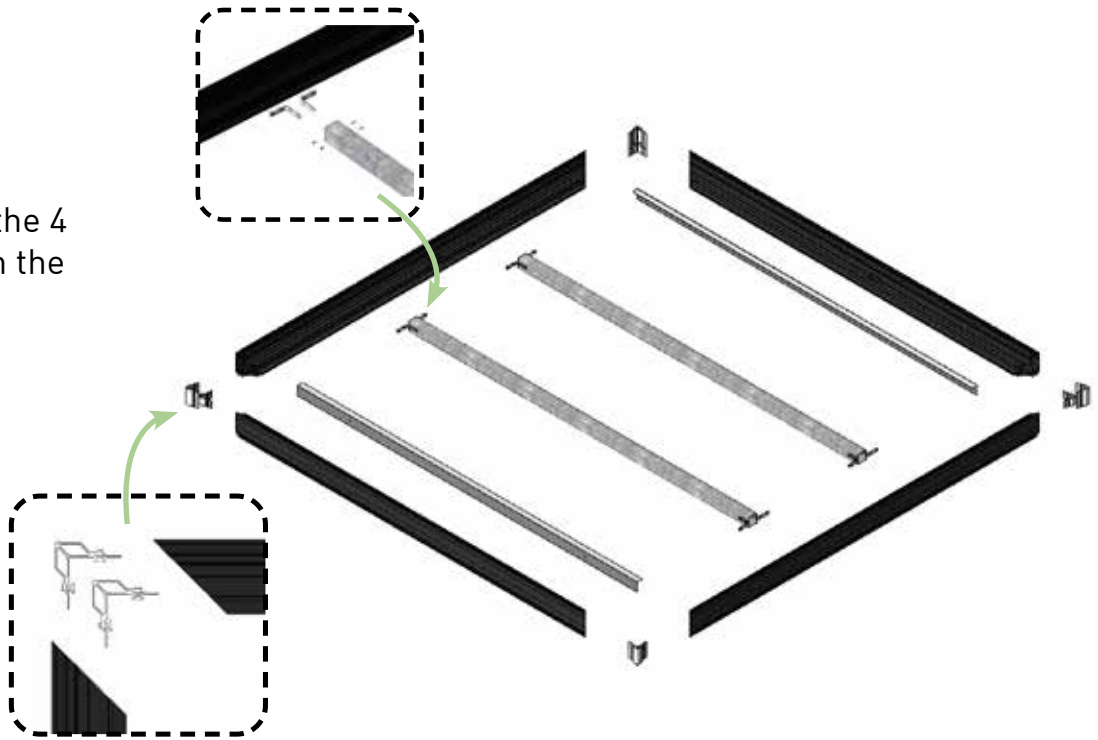
ASSEMBLY INSTRUCTIONS



1. CEILING FRAME ASSEMBLY

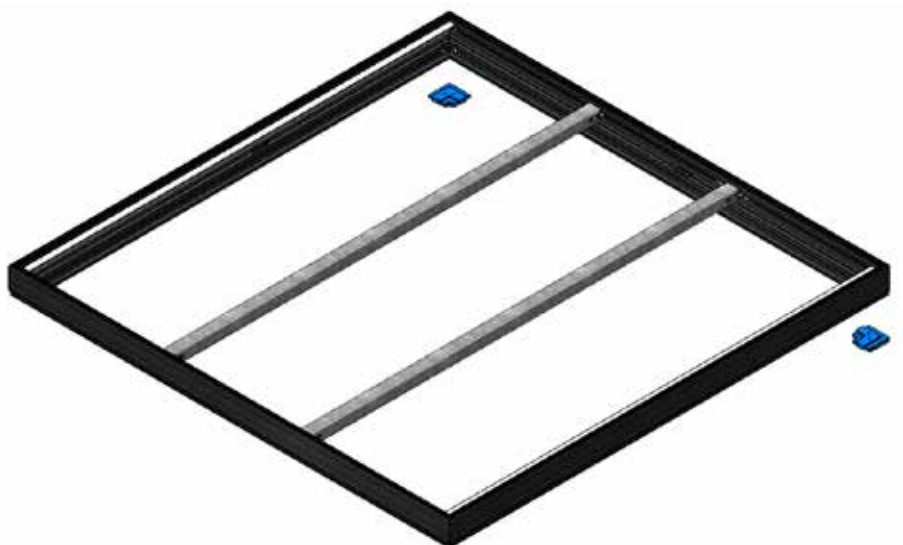
1A

Assemble the 4 angles with the brackets.



1B

Screw the corner wedges to the bottom of the assembled ceiling frame.



MEETING BOX

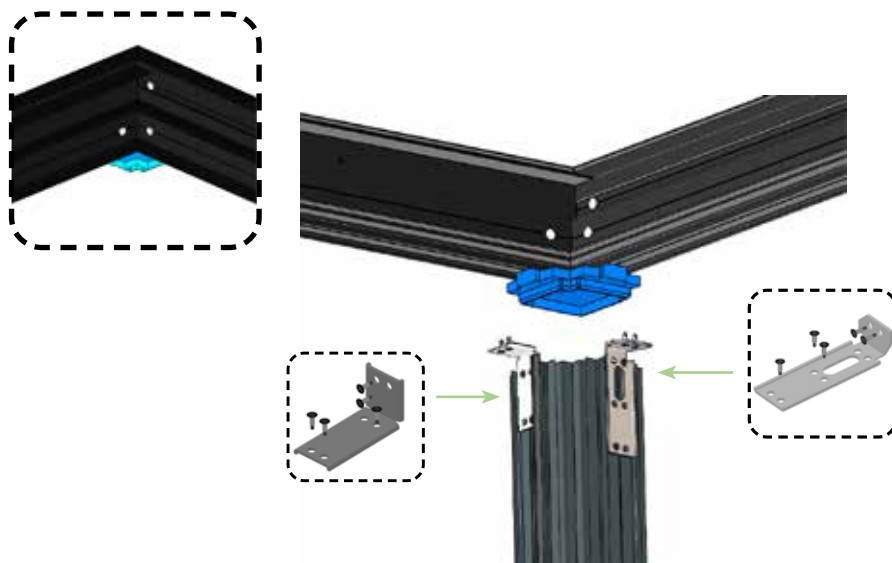
ASSEMBLY INSTRUCTIONS



1c

BACK OF THE BOX

Fix the angle profiles to the ceiling frame.



1d

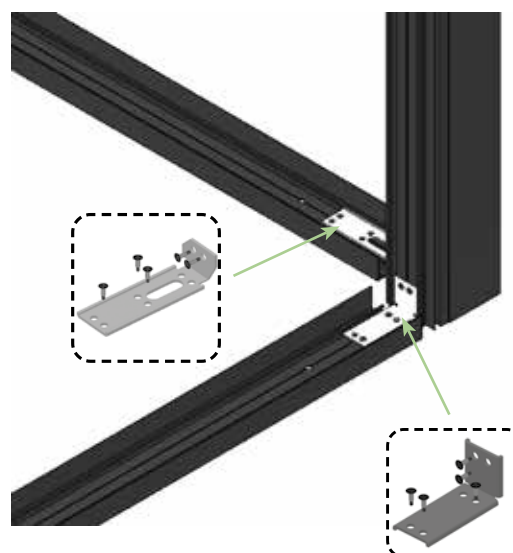
FRONT OF THE BOX

Fix the profiles to the frame.



1E

Join the rails to the two back profiles using the brackets.



MEETING BOX

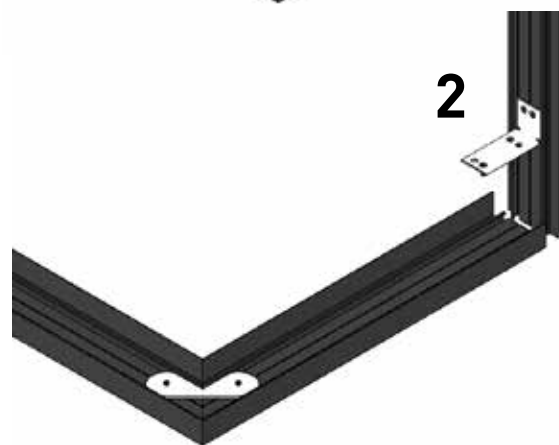
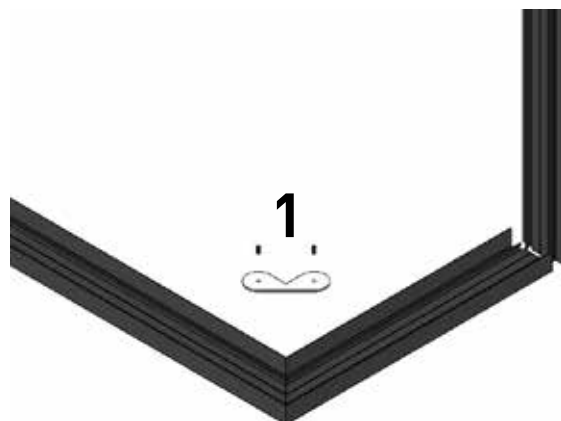
ASSEMBLY INSTRUCTIONS

1F

FRONT OF THE BOX

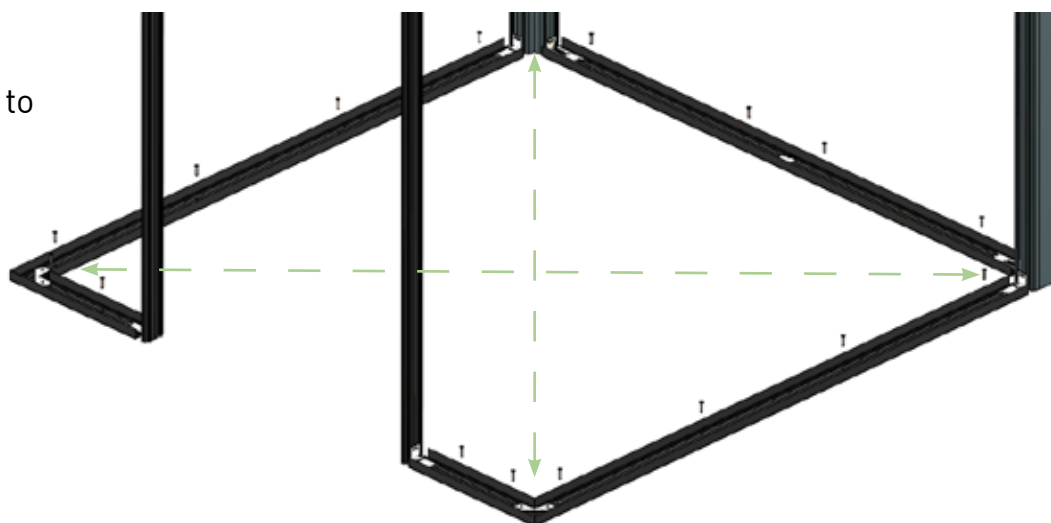
(1) Join the rails using the connecting piece.

(2) Assemble the rails to the vertical jambs.



1G

Check the squaring then screw the rails to the floor.



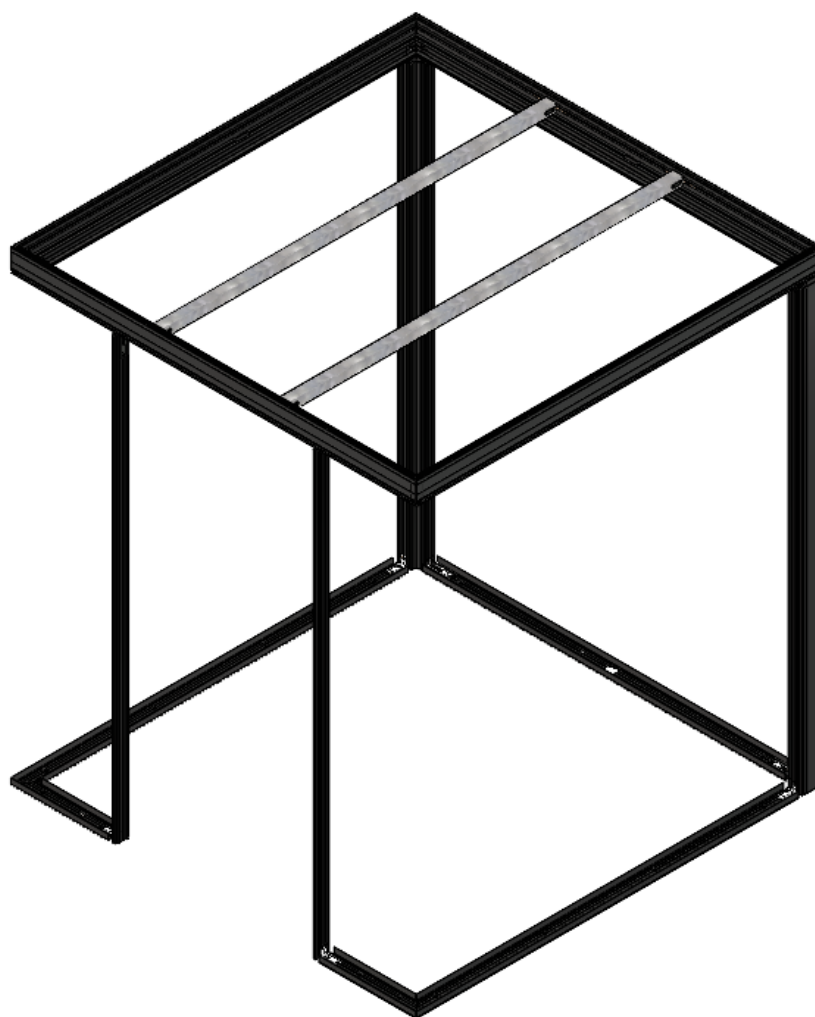
MEETING BOX

ASSEMBLY INSTRUCTIONS



1ST STEP DONE

VIEW OF THE BOX WITH THE CEILING FRAME ASSEMBLED



MEETING BOX

ASSEMBLY INSTRUCTIONS

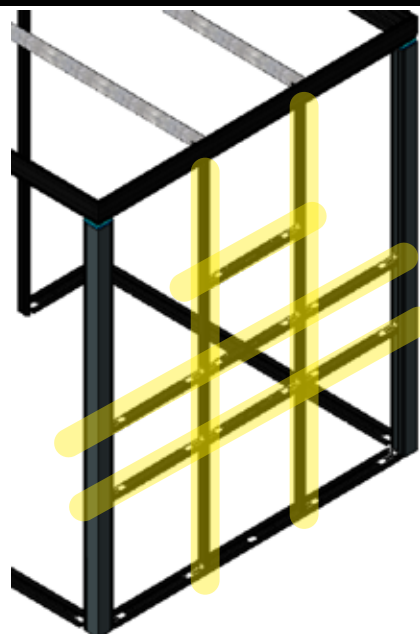


2.BACK PANELS ASSEMBLY

2A

BACK OF THE BOX

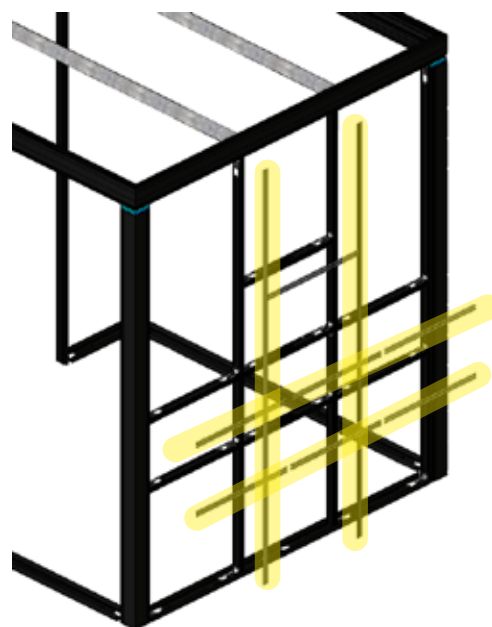
Mount the crossbars and the jambs using the measuring rods provided.



2B

BACK OF THE BOX

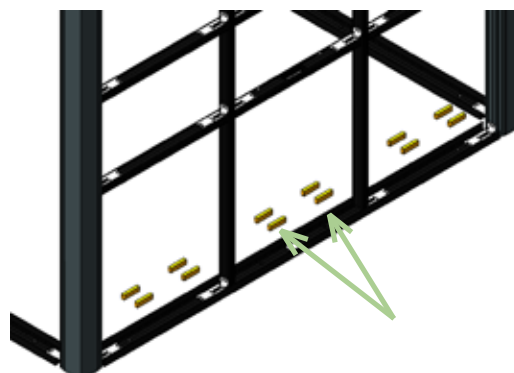
Install the foam joints on the crossbars and the jambs on the exterior panel side.



2c

BACK OF THE BOX

Insert the panel wedges (4 by section) in the rail screwed to the floor.



MEETING BOX

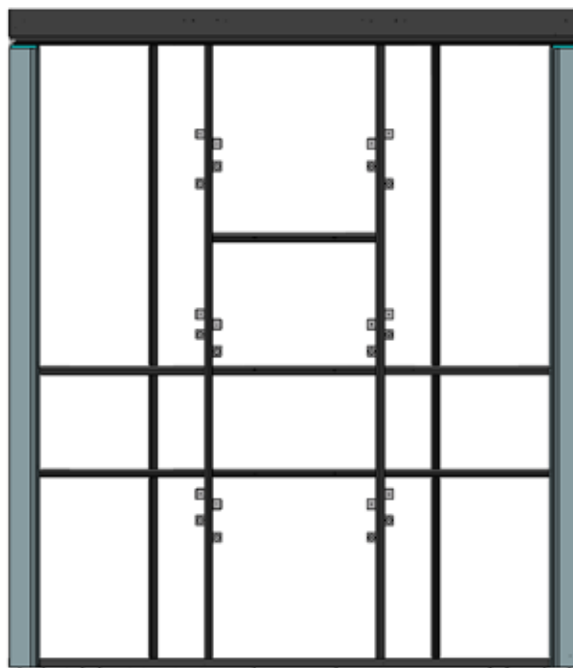
ASSEMBLY INSTRUCTIONS

2D

BACK OF THE BOX

- Position the exterior panels.
- Screw the brackets on the frame based on the magnets' position.
- Remove the panels.

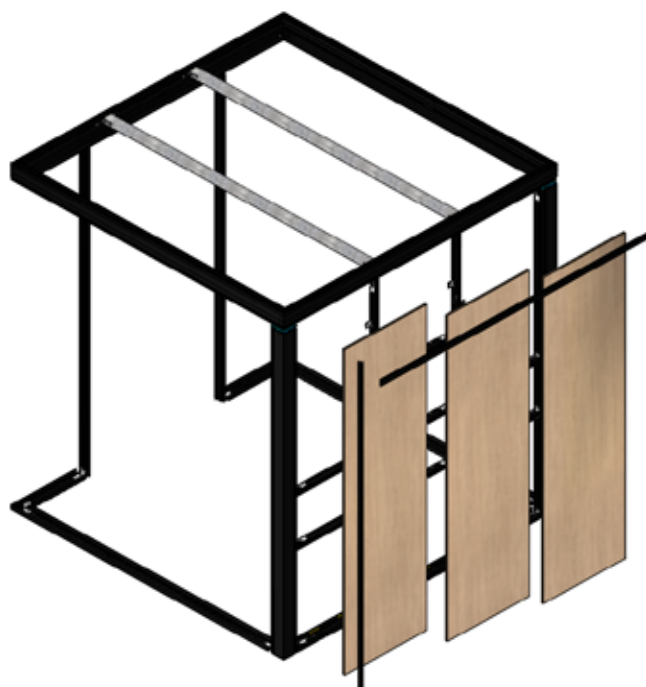
Repeat the same process for the interior panels.



2E

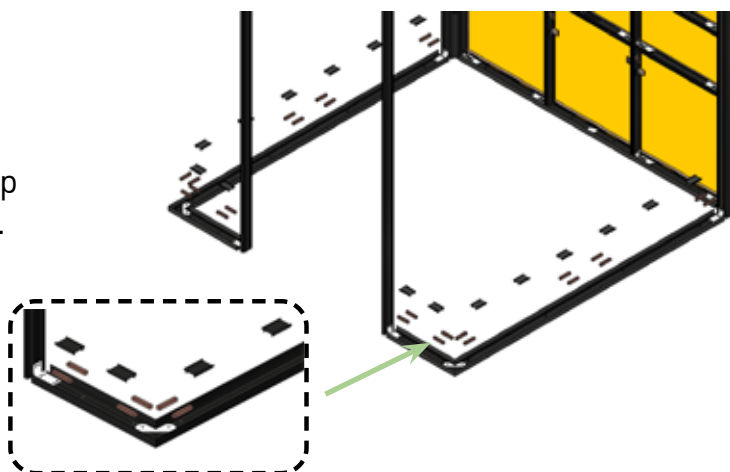
BACK OF THE BOX

Place the 3 back panels and install the joint covers.



2F

BOTTOM PROFILES :
insert the wedges then clip the dividers every 300mm.



MEETING BOX

ASSEMBLY INSTRUCTIONS



2G

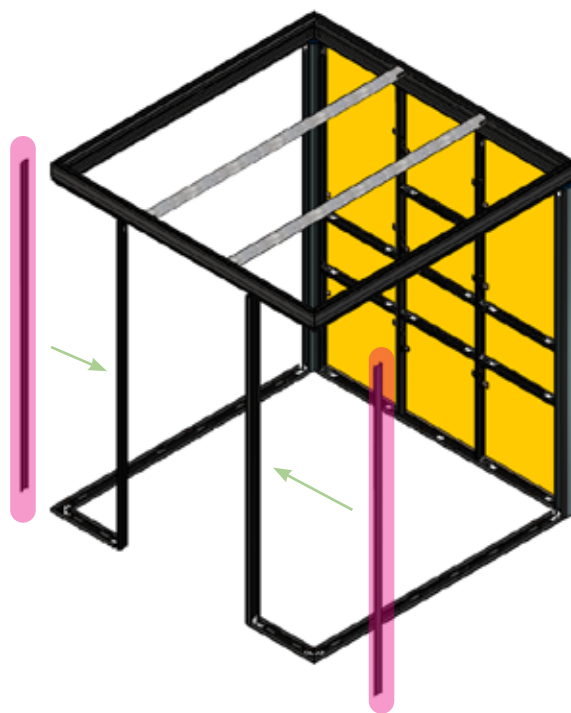
Glue the joints inside the glazing caps.

2H

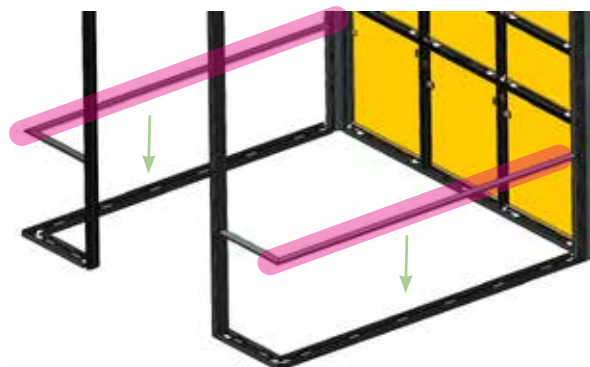
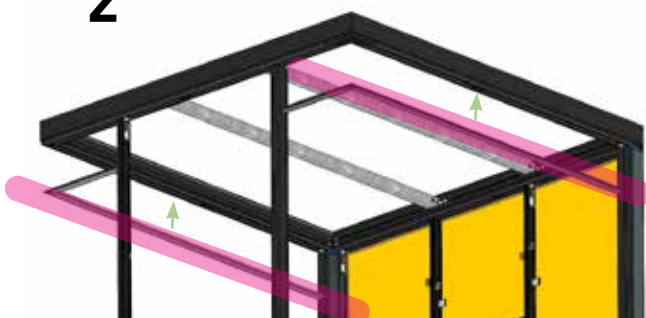
(1) Install the glazed panels caps on the vertical jambs.

(2) Install the glazed panel on the horizontal jambs.

1



2



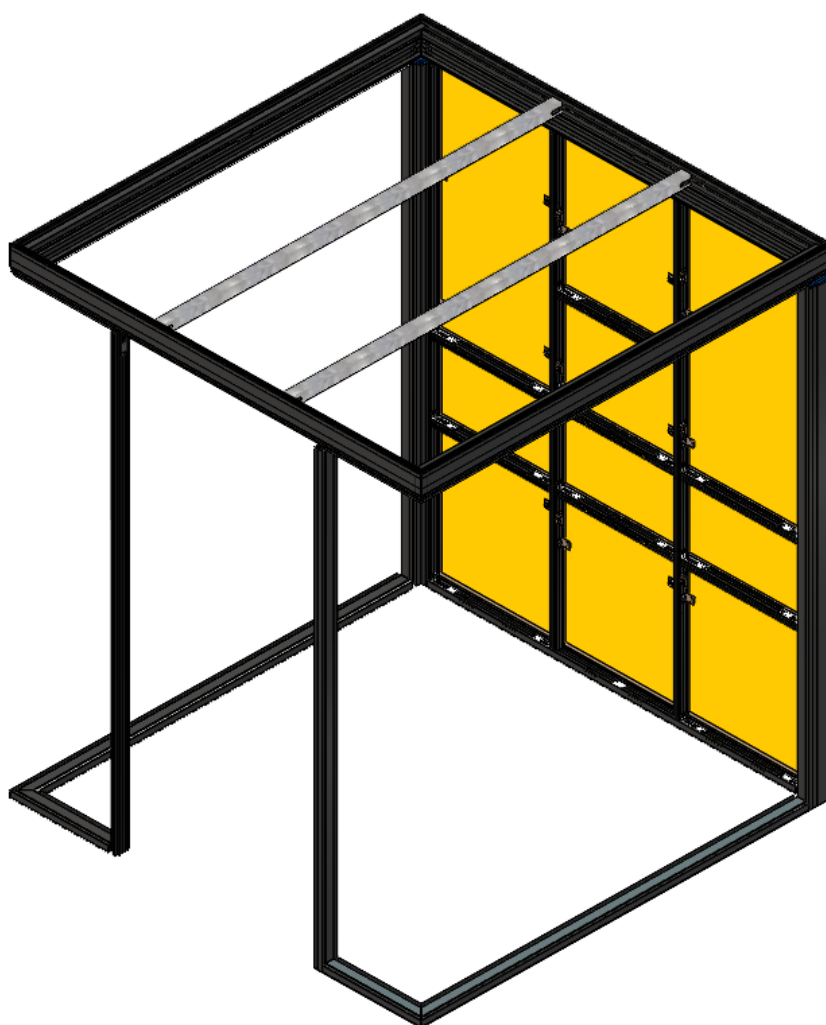
MEETING BOX

ASSEMBLY INSTRUCTIONS



STEP 2 DONE

VIEW OF THE BOX WITH THE PANELS ASSEMBLED



MEETING BOX

ASSEMBLY INSTRUCTIONS



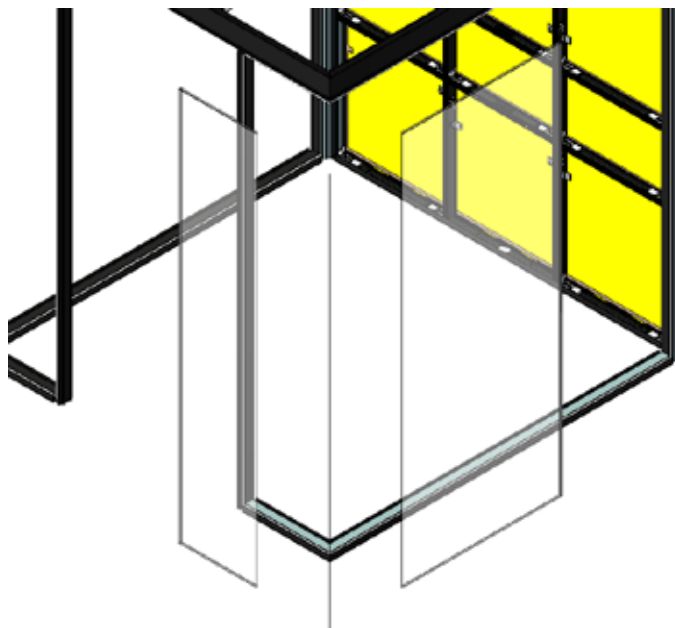
3. GLAZED PANELS ASSEMBLY

3A

Start with the installation of the INTERIOR ANGLE GLAZED PANELS.

>> apply adhesive tape to the edges of the panels beforehand <<

Repeat the process for the other angle.

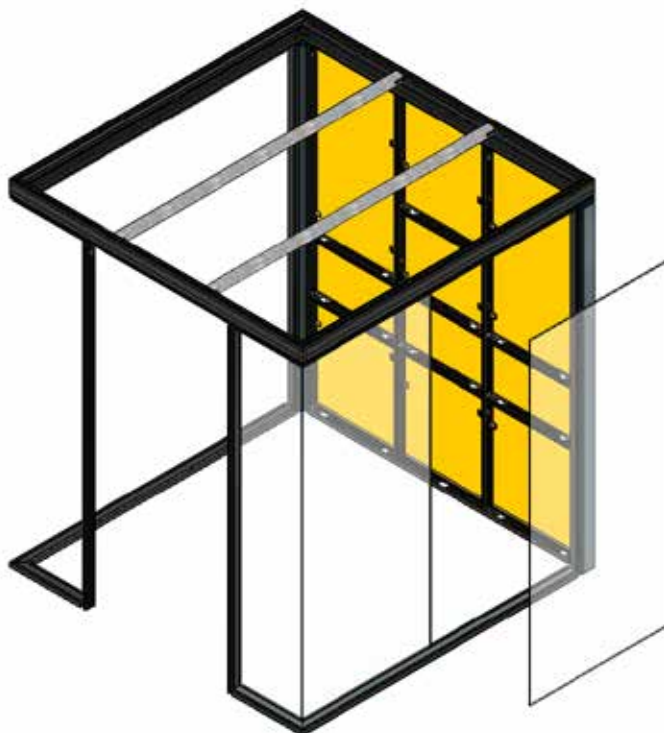


3B

Continue with the installation of the INTERIOR GLAZED PANELS.

>> apply adhesive tape to the edges of the panels beforehand <<

Repeat the process for both interior sides of the box.



3c

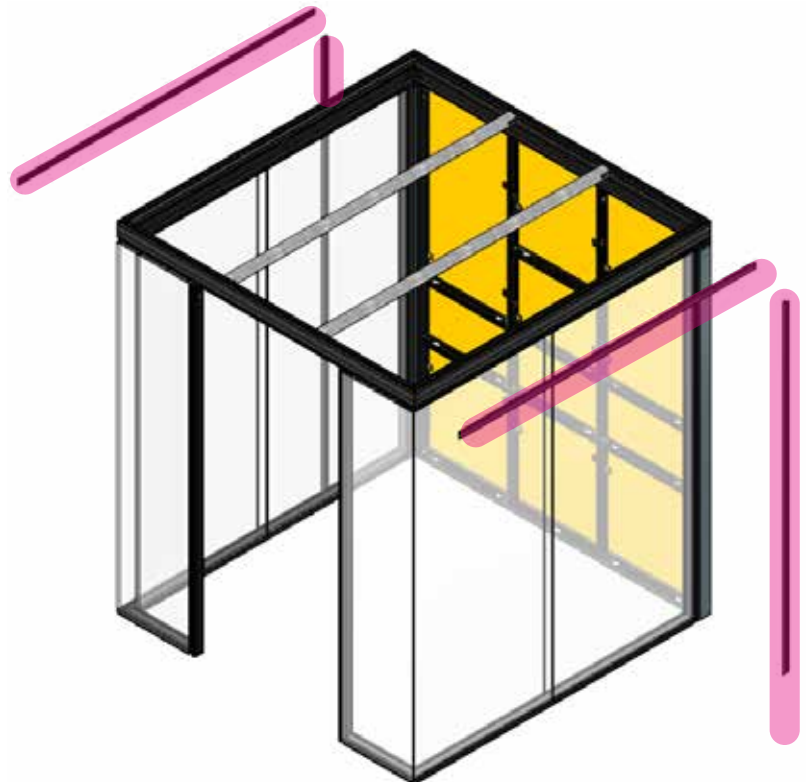
Proceed the same way to install the **EXTERIOR GLAZED PANELS**, starting with the angles.

MEETING BOX

ASSEMBLY INSTRUCTIONS

3D

Install the outer joint covers.



3E

Install the inner joint covers (at the junction of the ceiling frame and the glazed panels).



3F

Install the vertical joint covers.



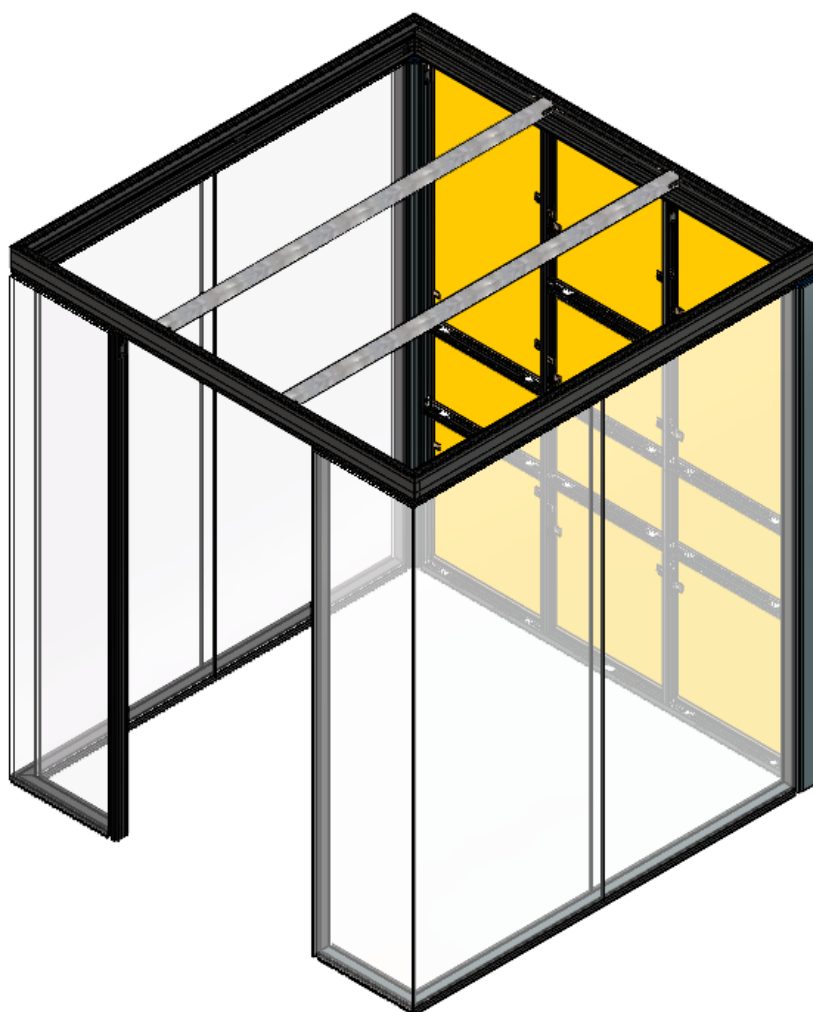
MEETING BOX

ASSEMBLY INSTRUCTIONS



STEP 3 DONE

VIEW OF THE BOX WITH THE GLAZED PANELS ASSEMBLED



MEETING BOX

ASSEMBLY INSTRUCTIONS



4. EXTERIOR CEILING ASSEMBLY

4

Insert the exterior ceiling panels and apply the joint covers.



STEP 4 DONE

VIEW OF THE BOX WITH THE EXTERIOR CEILING ASSEMBLED



MEETING BOX

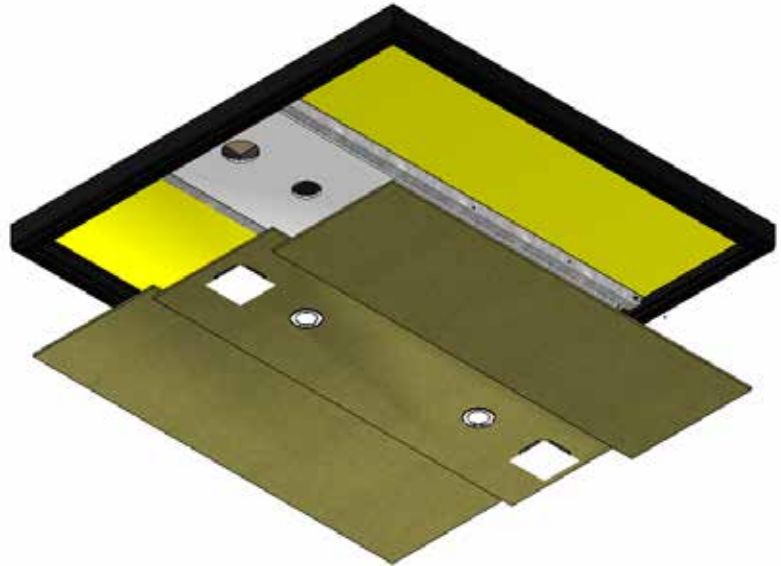
ASSEMBLY INSTRUCTIONS



5. INTERIOR FULL PARTS ASSEMBLY

5A

Magnetise the inner ceiling panels against the frame tubes.

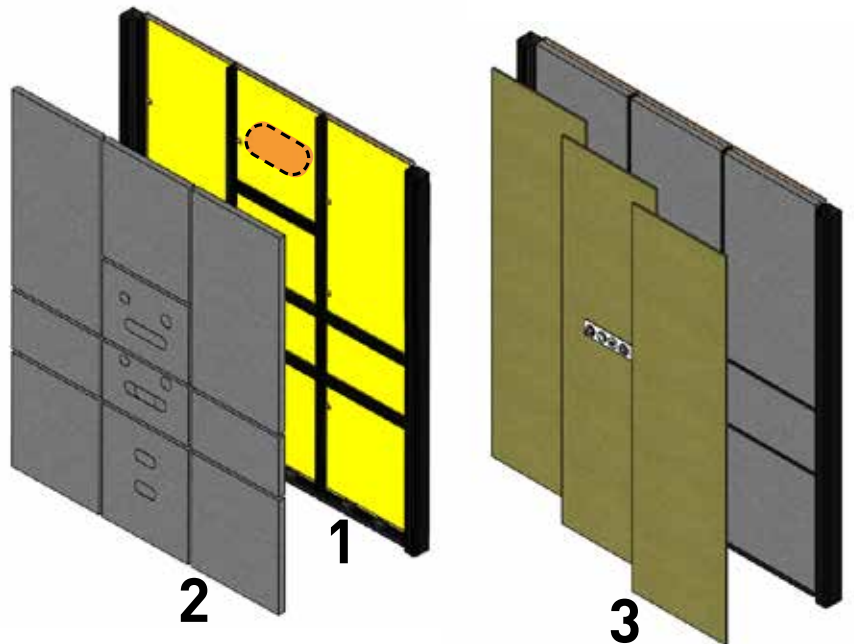


5B

(1) Install the PVC panel dividers (2 by section). Position the electrification box (see dotted line on the picture) and place the various cables.

(2) Install the insulation.

(3) Install the inner panel and the joint covers.



MEETING BOX

ASSEMBLY INSTRUCTIONS

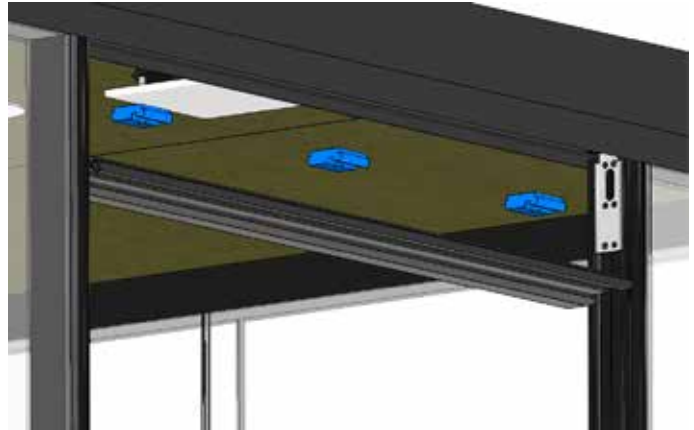


6. DOOR CASES ASSEMBLY

6A

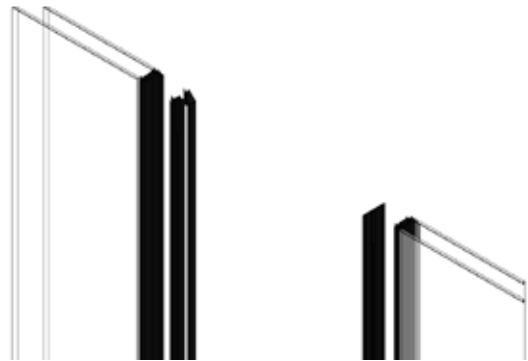
Fix the wedges to the ceiling frame.

Clip the door cases to the wedges.



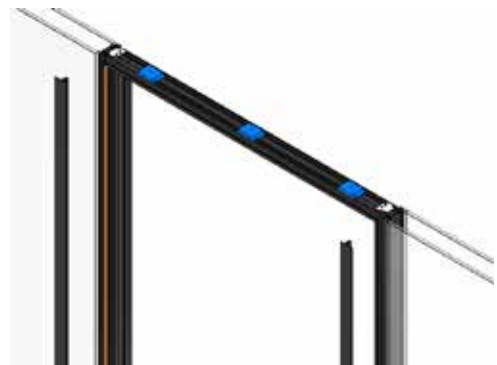
6B

Clip the door cases to the doorjamb.



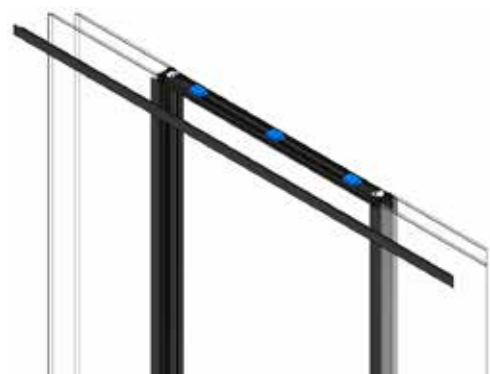
6c

Install the horizontal and vertical joint covers on the outer door cases.



6D

Proceed the same way to install the INTERIOR JOINT COVERS.



MEETING BOX

ASSEMBLY INSTRUCTIONS



7. PREPARATION AND DOOR ASSEMBLY

7A

Identify the opening direction of the door and screw the hinges onto the door in the predefined areas.



7B

Mount the door trims.



STEP 7 DONE

VIEW OF THE ASSEMBLED DOOR



MEETING BOX

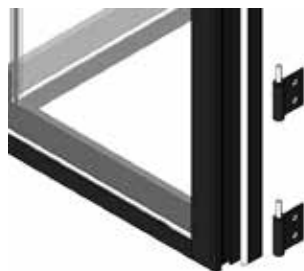
ASSEMBLY INSTRUCTIONS



8. DOOR INSTALLATION

8A

Install the hinges at the top and the bottom of the door case.



8B

Set the door on the hinges.

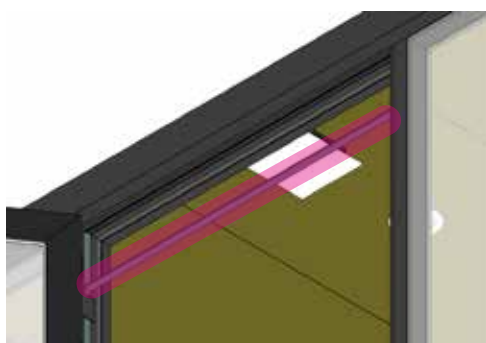


MEETING BOX

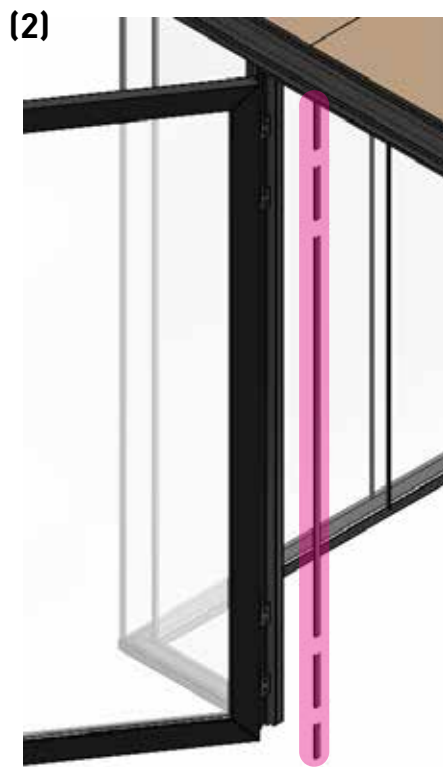
ASSEMBLY INSTRUCTIONS

8c

Cut and apply the covers on the door cases horizontally **(1)** and vertically **(2)**.



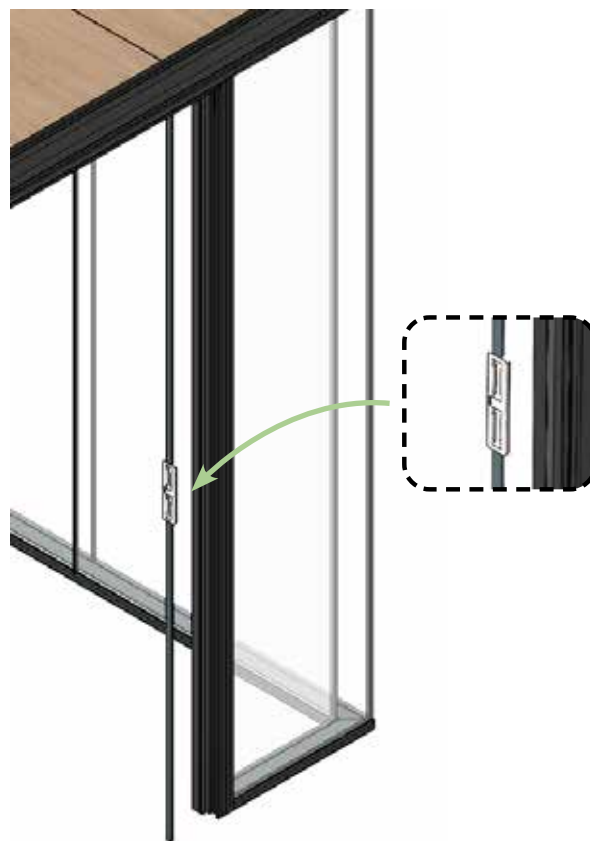
(1)



(2)

8D

Install the door cases covers, then the door strike.



MEETING BOX

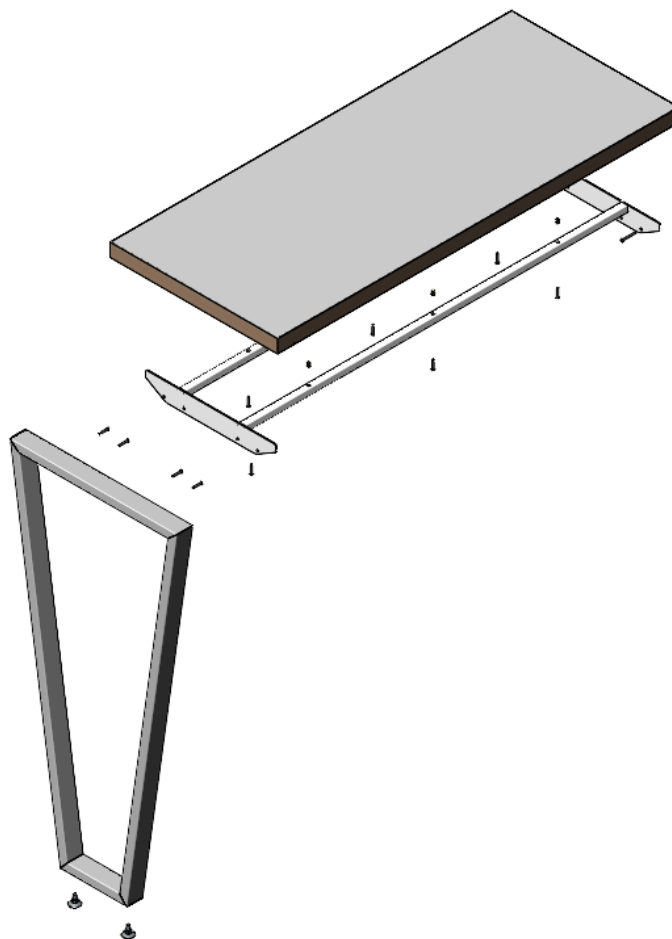
ASSEMBLY INSTRUCTIONS



9. TABLE ASSEMBLY (OPTION)

9A

Assemble the table according to the picture.



9B

Screw the table to the back crossbar.

