



SÉPARATEUR DE BUREAUX DESK DIVIDER / TISCHSTELLWAND

ref. KITPIEDSEP

A

SÉPARATEUR DE BUREAUX
A POSER

DESK DIVIDER TO BE PLACED

TISCHSTELLWAND DIREKTES AUFLIEGEN



x1



x4



x2

NON FOURNI
NOT INCLUDED

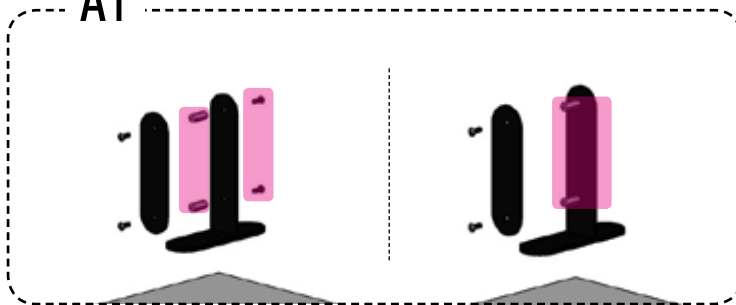


2,5 mm

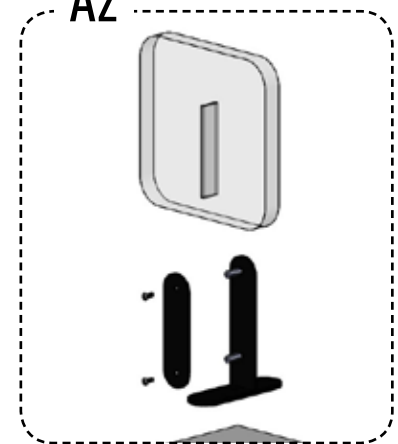


8 mm

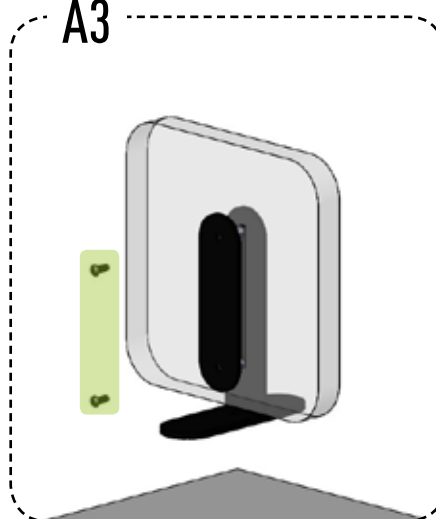
A1



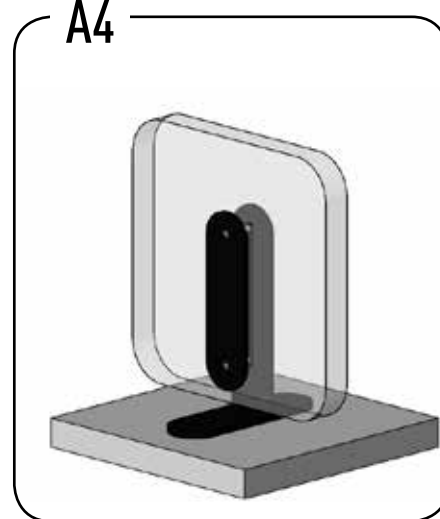
A2



A3



A4



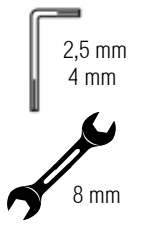
ref. KITLATESEP

SÉPARATEUR BUREAUX A FIXER

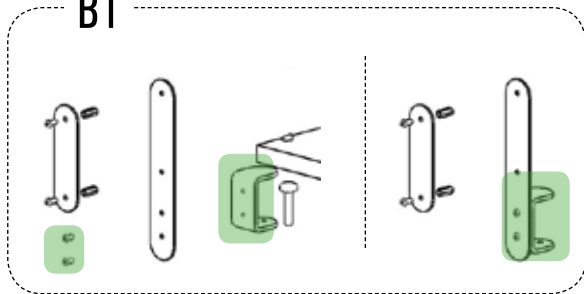
DESK DIVIDER TO BE CLAMPED
TISCHSTELLWAND AN
SCHREIBTISCHPLATTE BEFESTIGEN



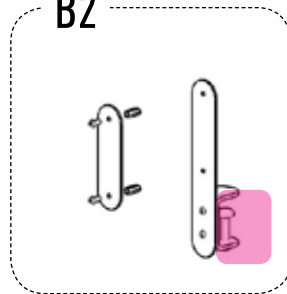
NON FOURNI
NOT INCLUDED



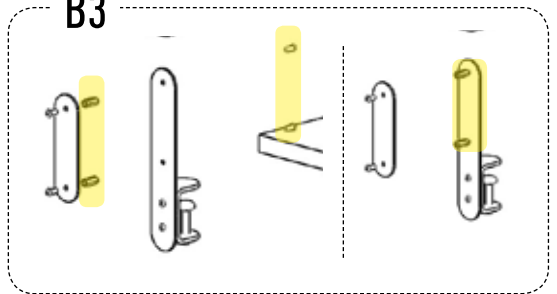
B1



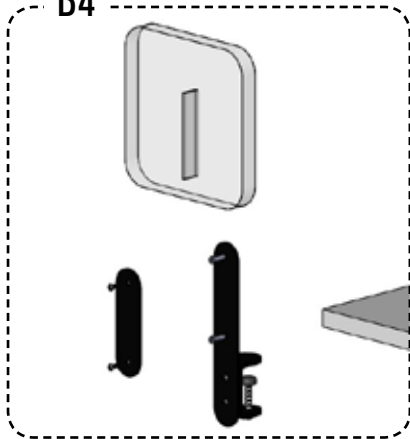
B2



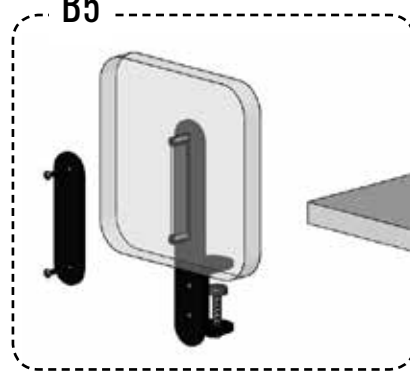
B3



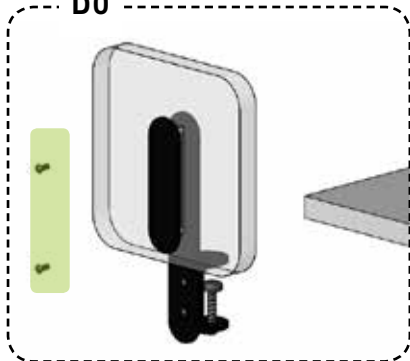
B4



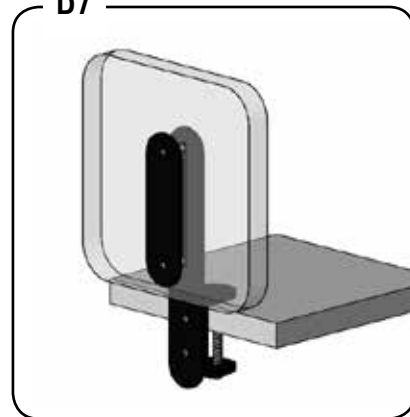
B5



B6



B7



REF. NOT-SEPAKINO_0520

ref. KITCENTSEP

SÉPARATEUR POUR BUREAUX DOUBLE

DESK DIVIDER FOR BENCH DESKS

TISCHSTELLWAND FÜR BENCH-SCHREIBTISCHE



x1



x4



x1



x2



x1



x1

NON FOURNI
NOT INCLUDED



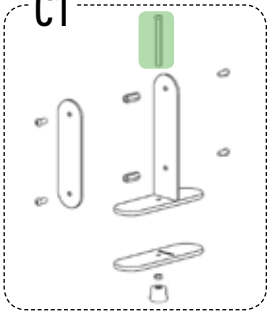
2,5 mm



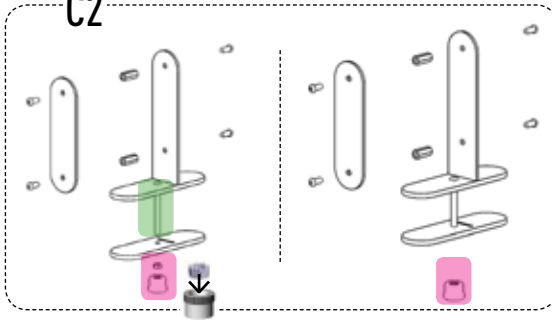
8 mm



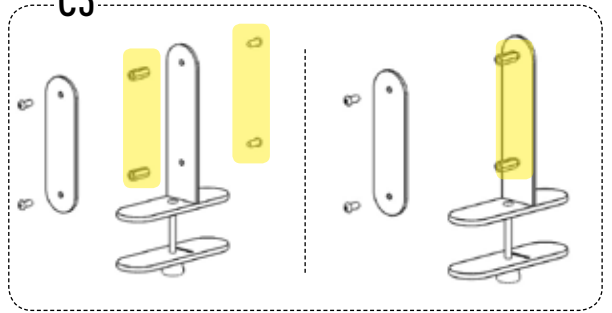
C1



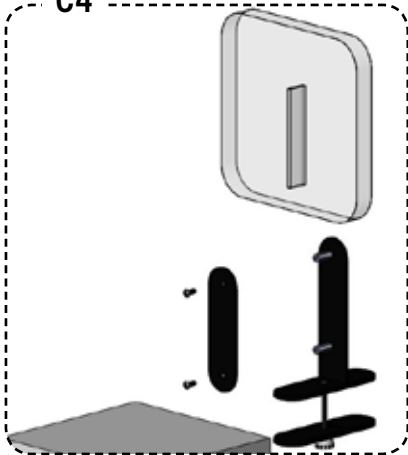
C2



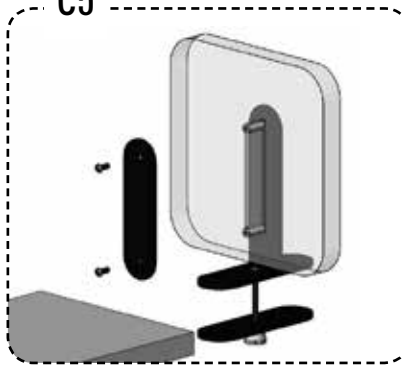
C3



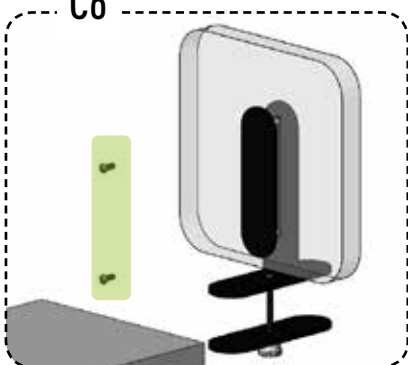
C4



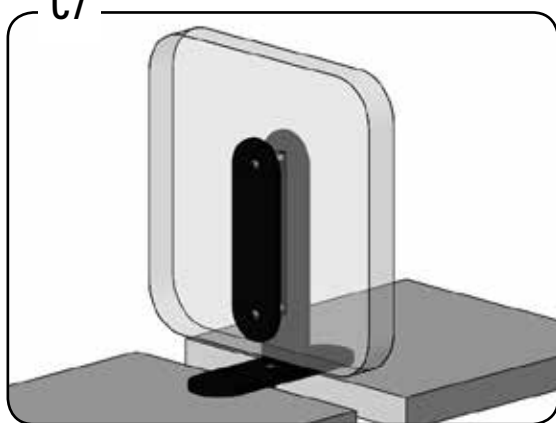
C5



C6



C7



REF. NOT-SEPAKINO_0520