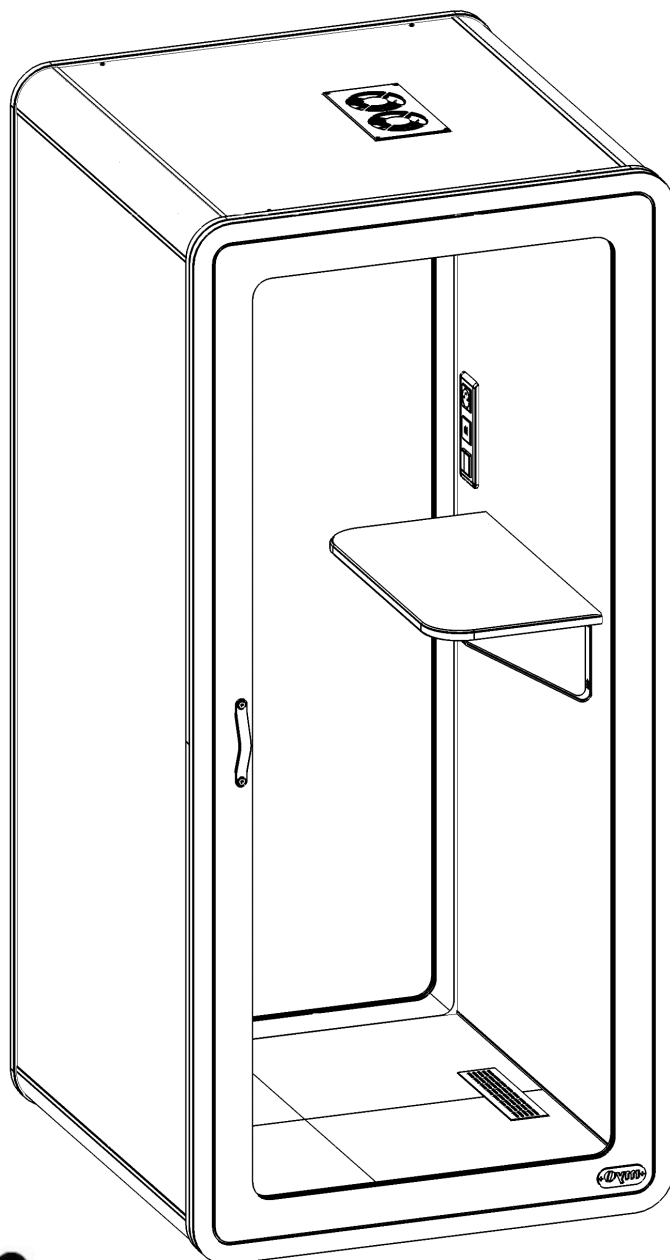
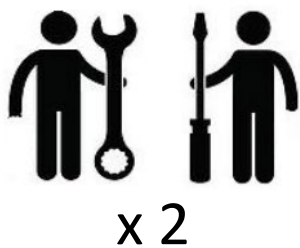


WOODY BOX [1]

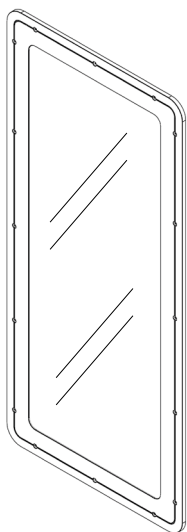


REF. NOT-WOODYBOX (0423)

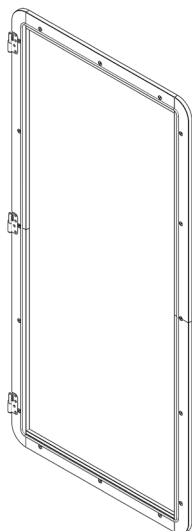


myo

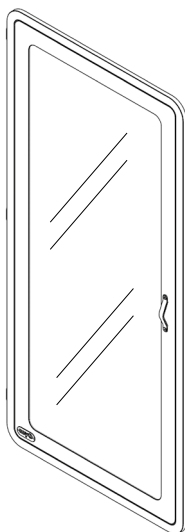
Eléments - Elements



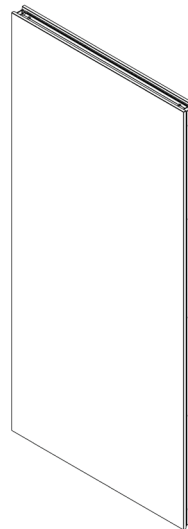
1x A



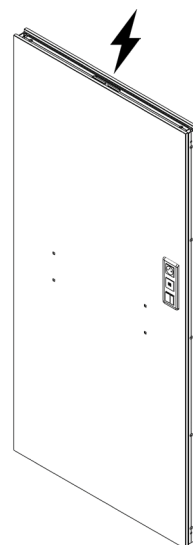
1x B



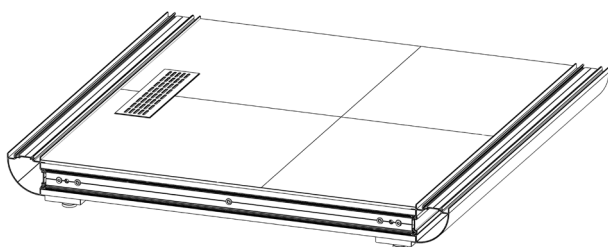
1x C



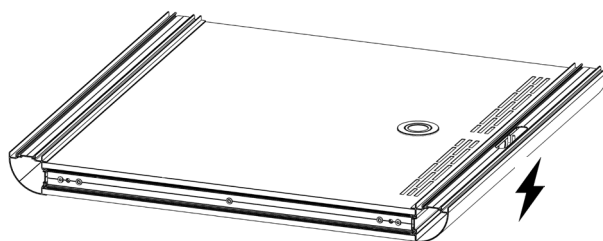
1x D



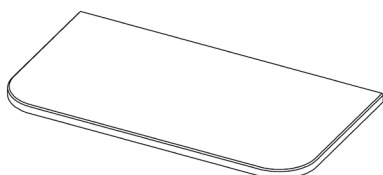
1x E



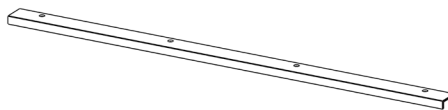
1x F



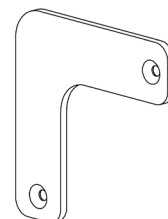
1x G



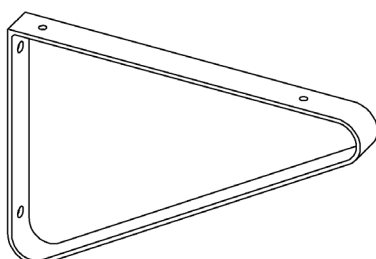
1x H



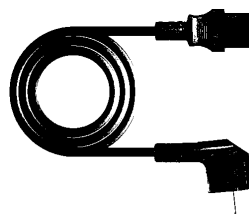
1x I



8x J

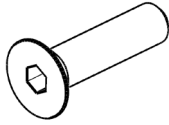


2x K

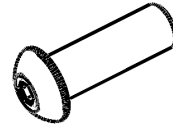


1x L

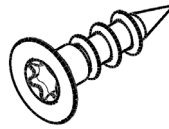
Visserie - Screws



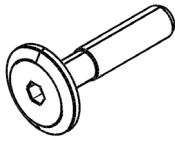
16x FHC M6x25



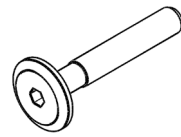
4x BHC M5x10



4x 4x16



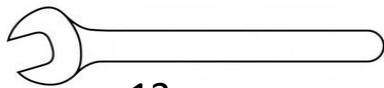
32x M6x30



4x M6x40

Outils requis – Tools needed

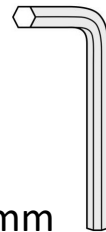
Non fournis – Not provided



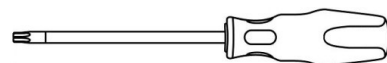
13mm



4mm

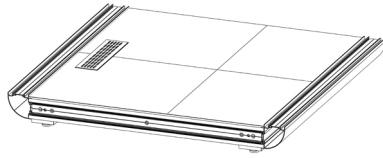


3mm

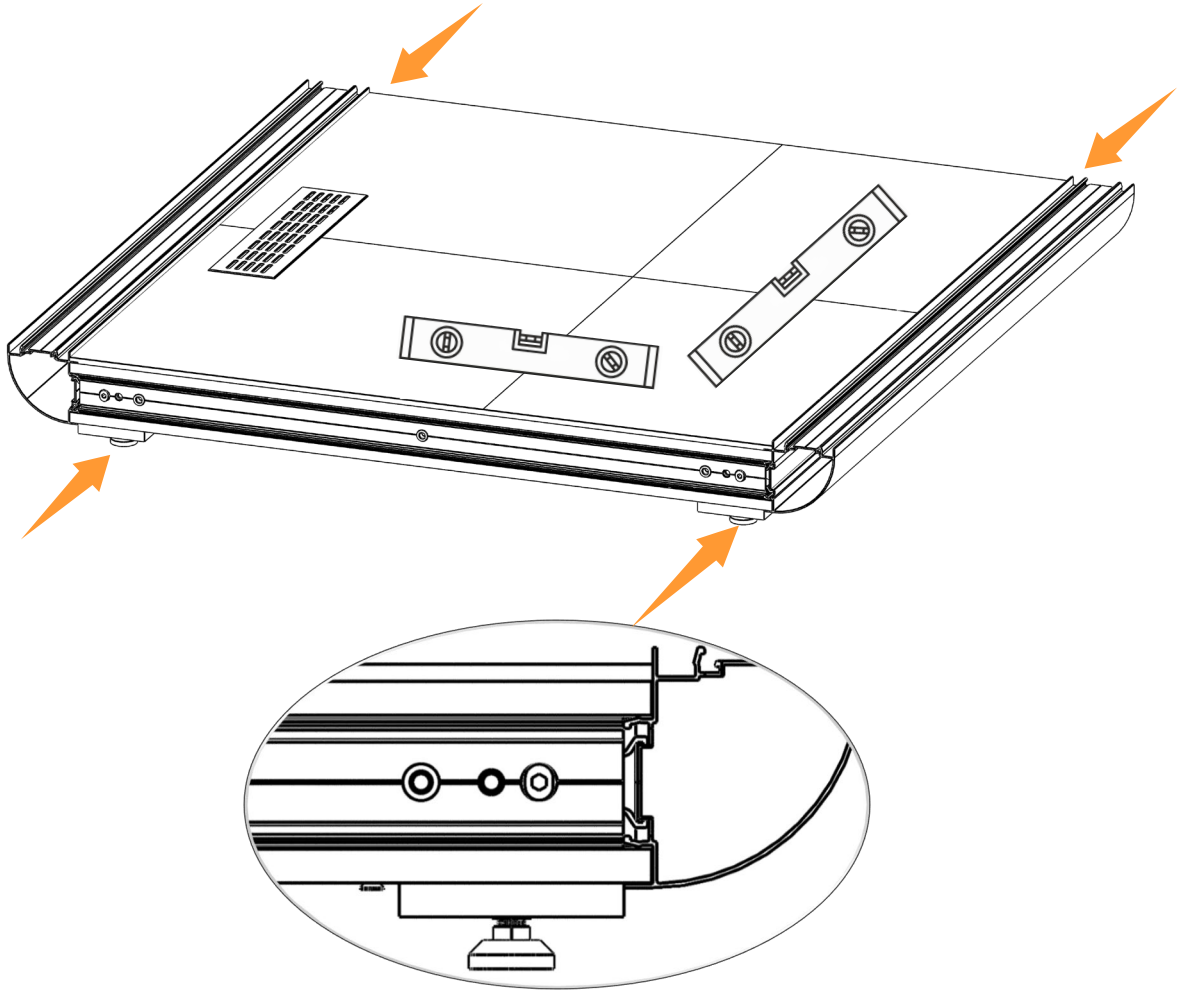
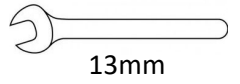


TORX T20

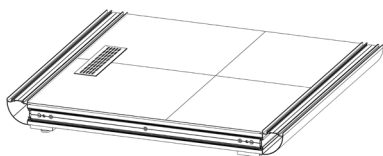
1



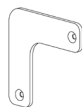
1x F



2



1x F



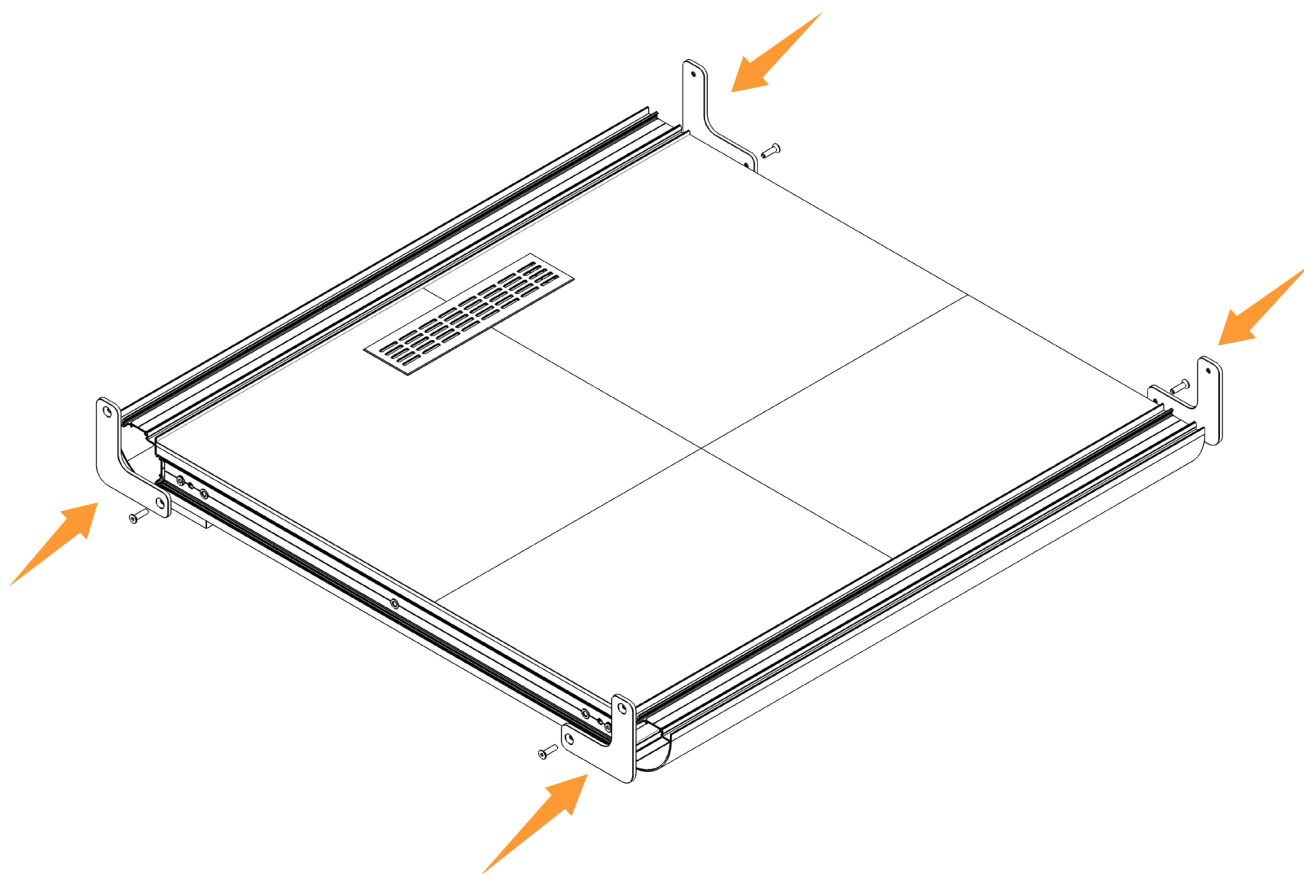
4x J



4x FHC
M6x25



4mm



3



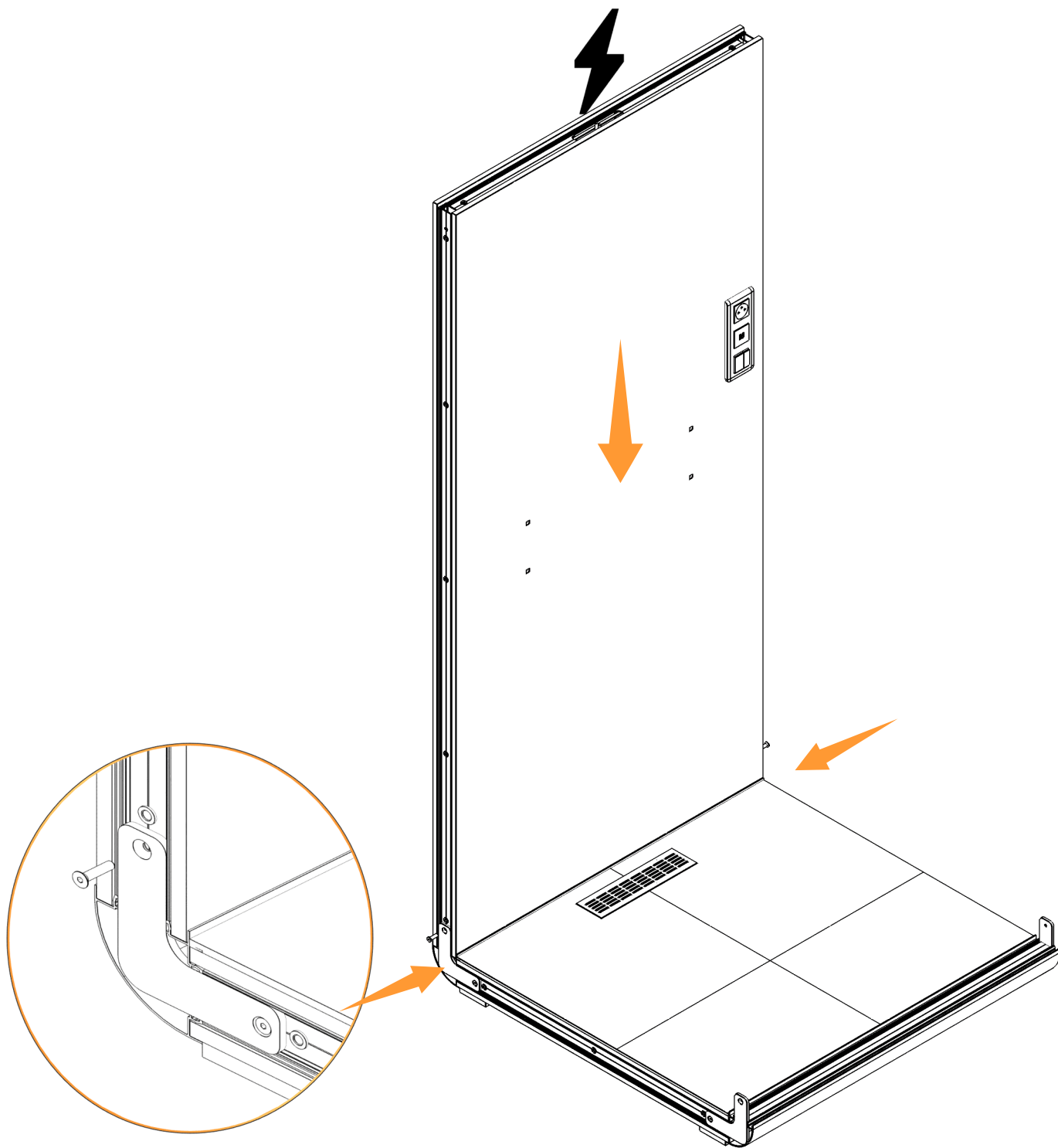
1x E



2x FHC M6x25



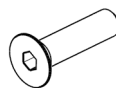
4mm



4



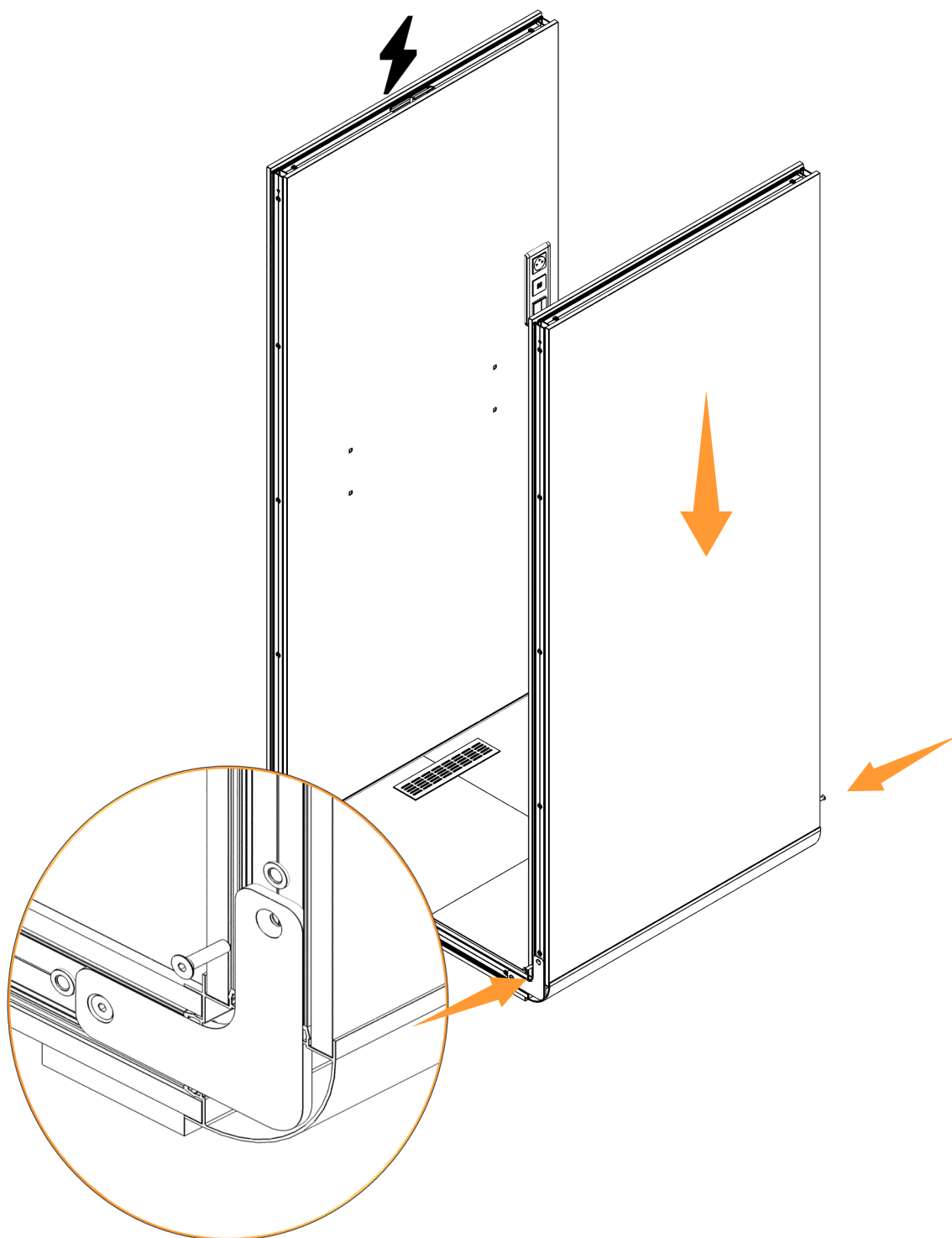
1x D



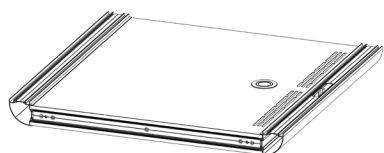
2x FHC M6x25



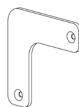
4mm



5



1x G



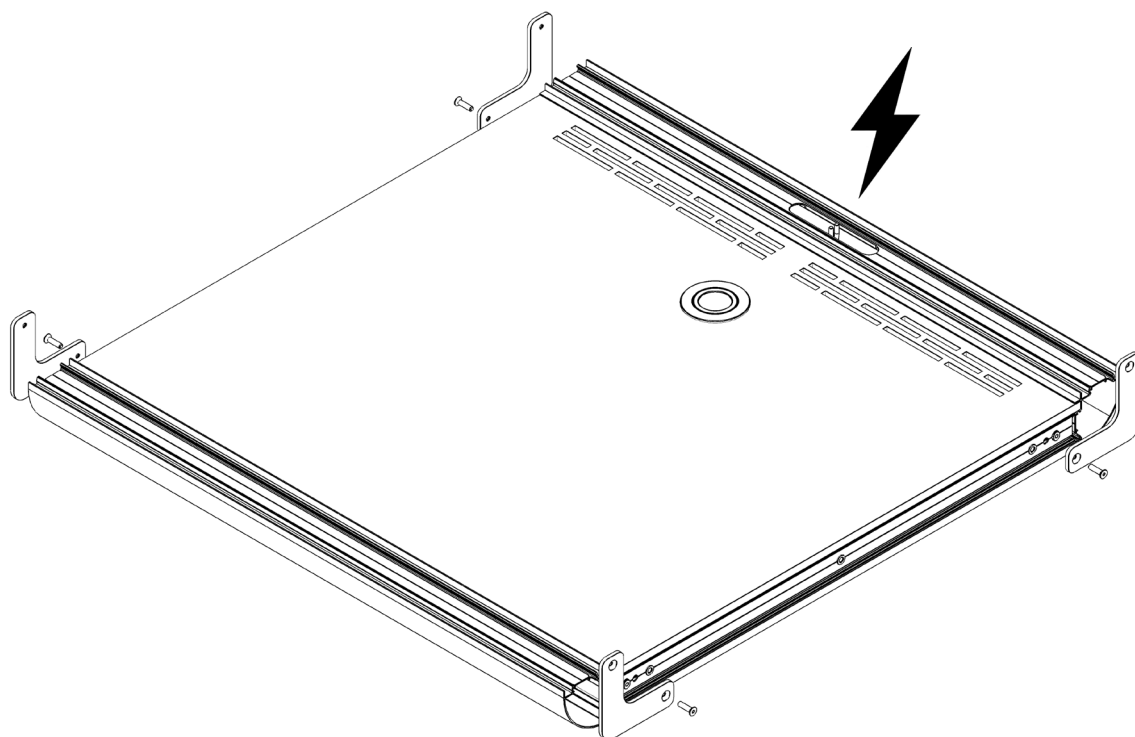
4x J



4x FHC
M6x25

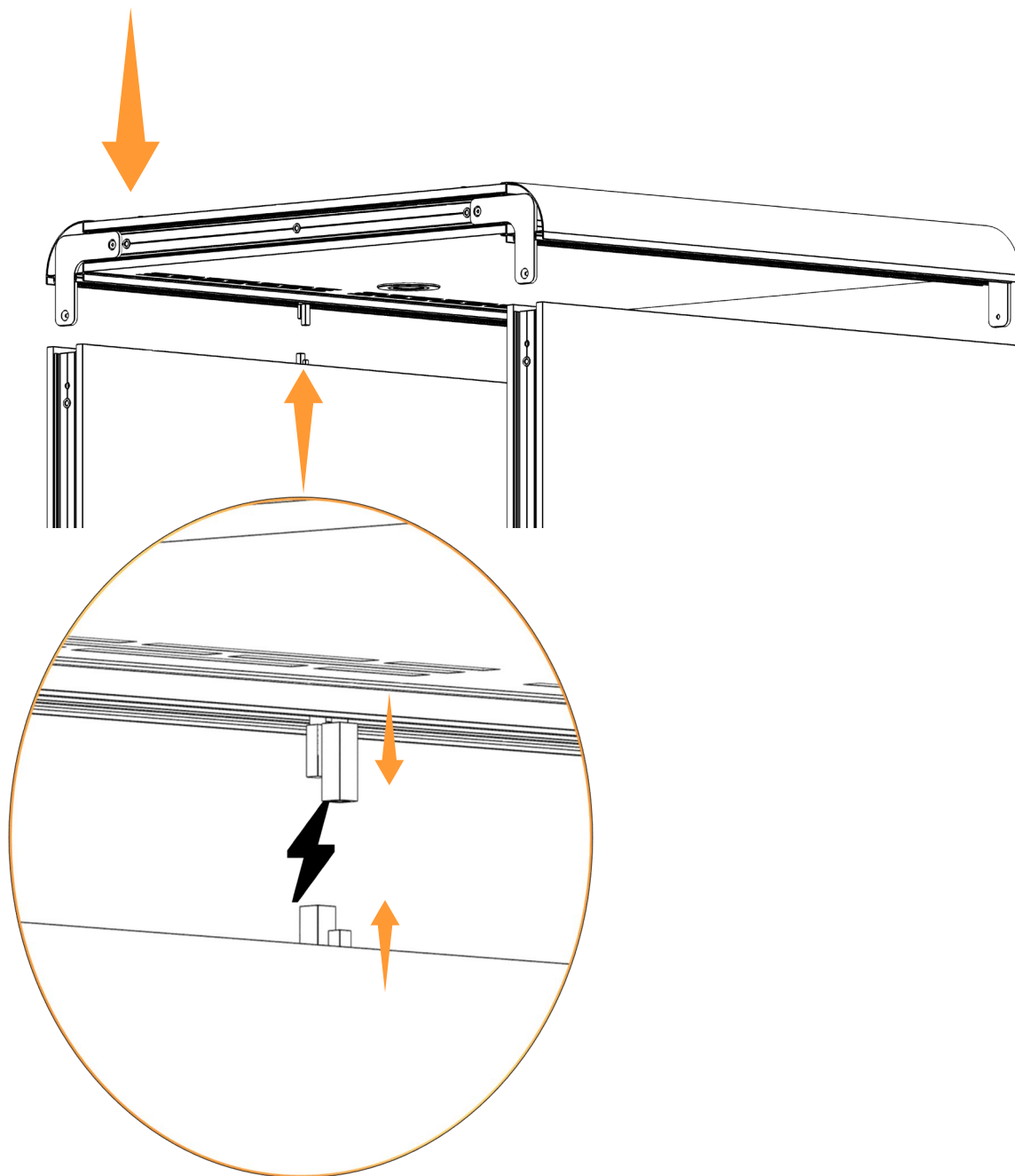


4mm



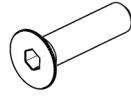
PLAFOND / CEILING

6

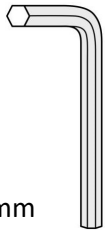


PLAFOND / CEILING

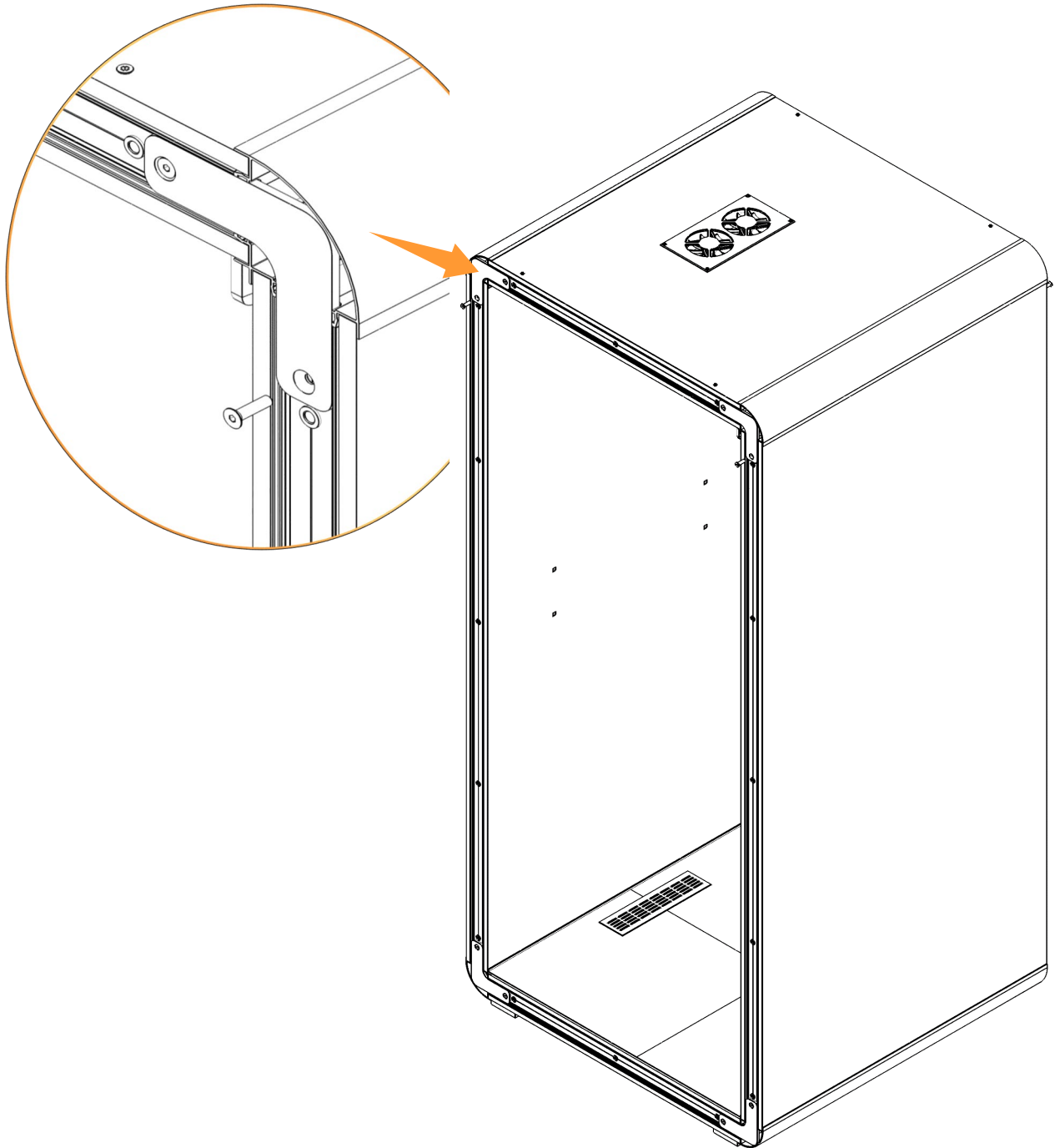
7



4x FHC M6x25

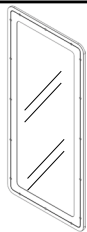


4mm

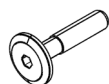


—
FACE AVANT / FRONT SIDE

8



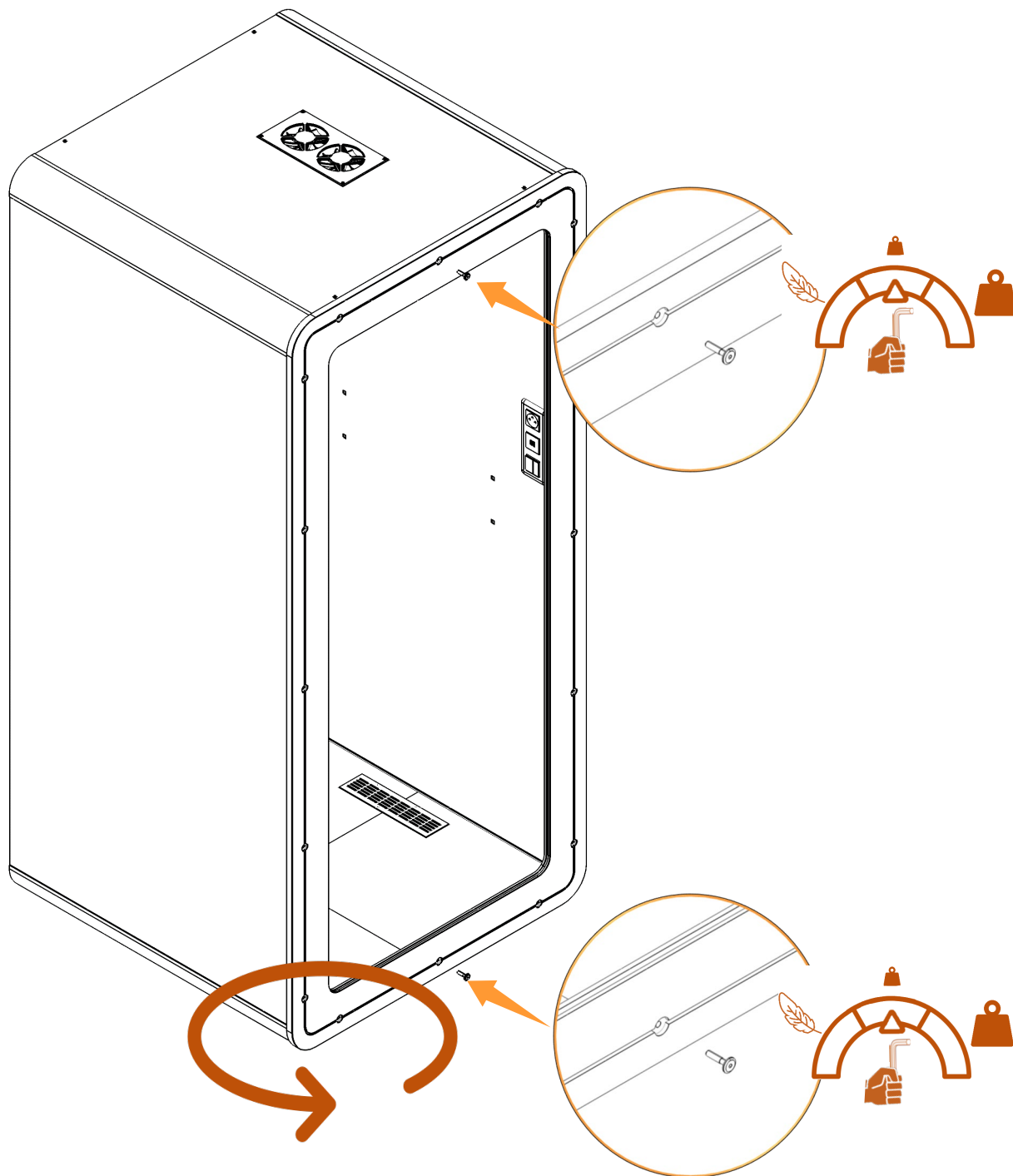
1x A



2x M6x30

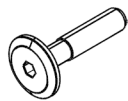


4mm



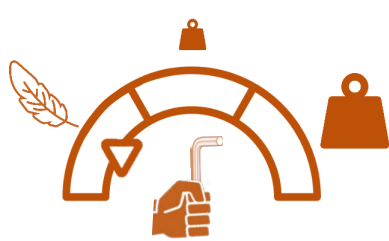
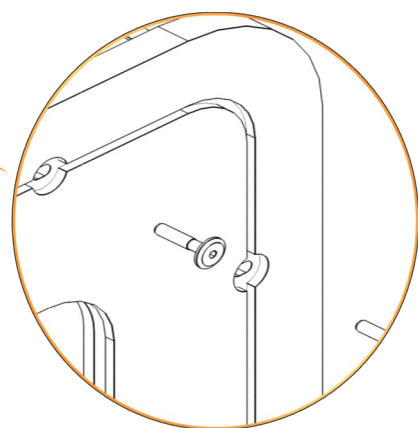
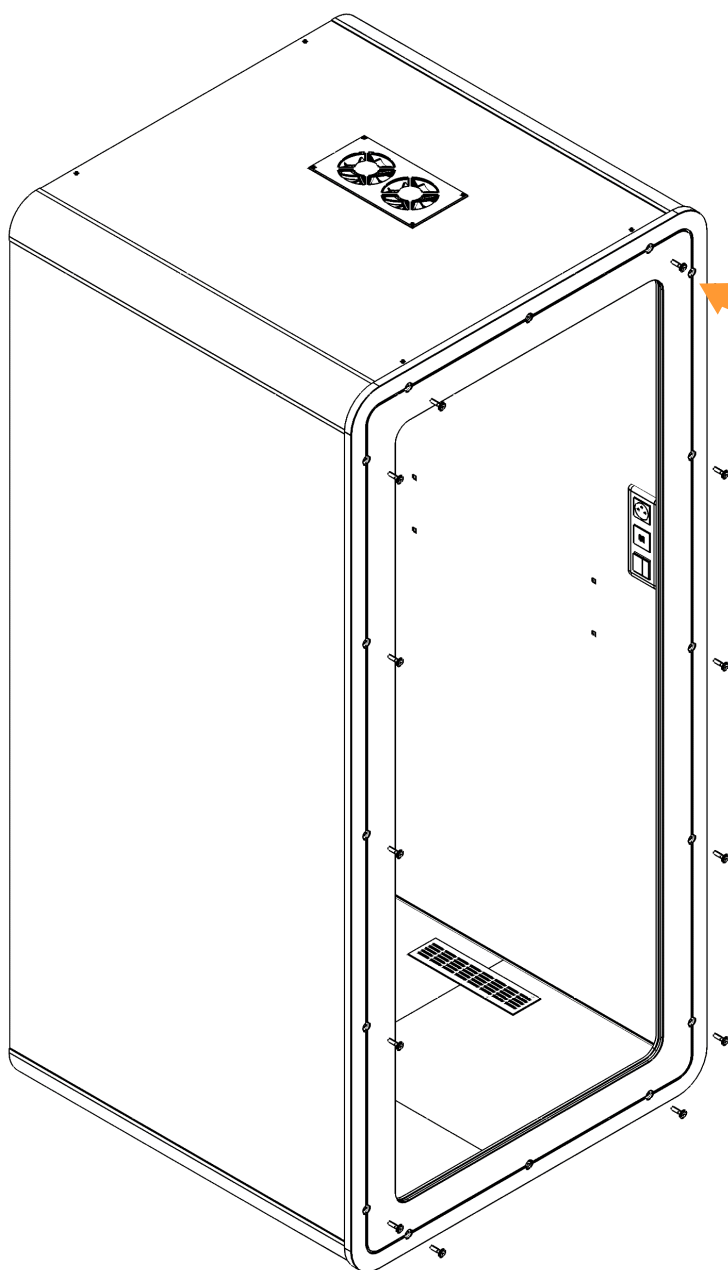
—
FACE ARRIERE / BACK SIDE

9



14x M6x30

4mm

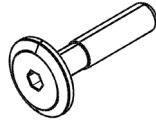


—
FACE ARRIERE / BACK SIDE

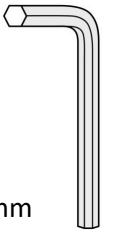
10



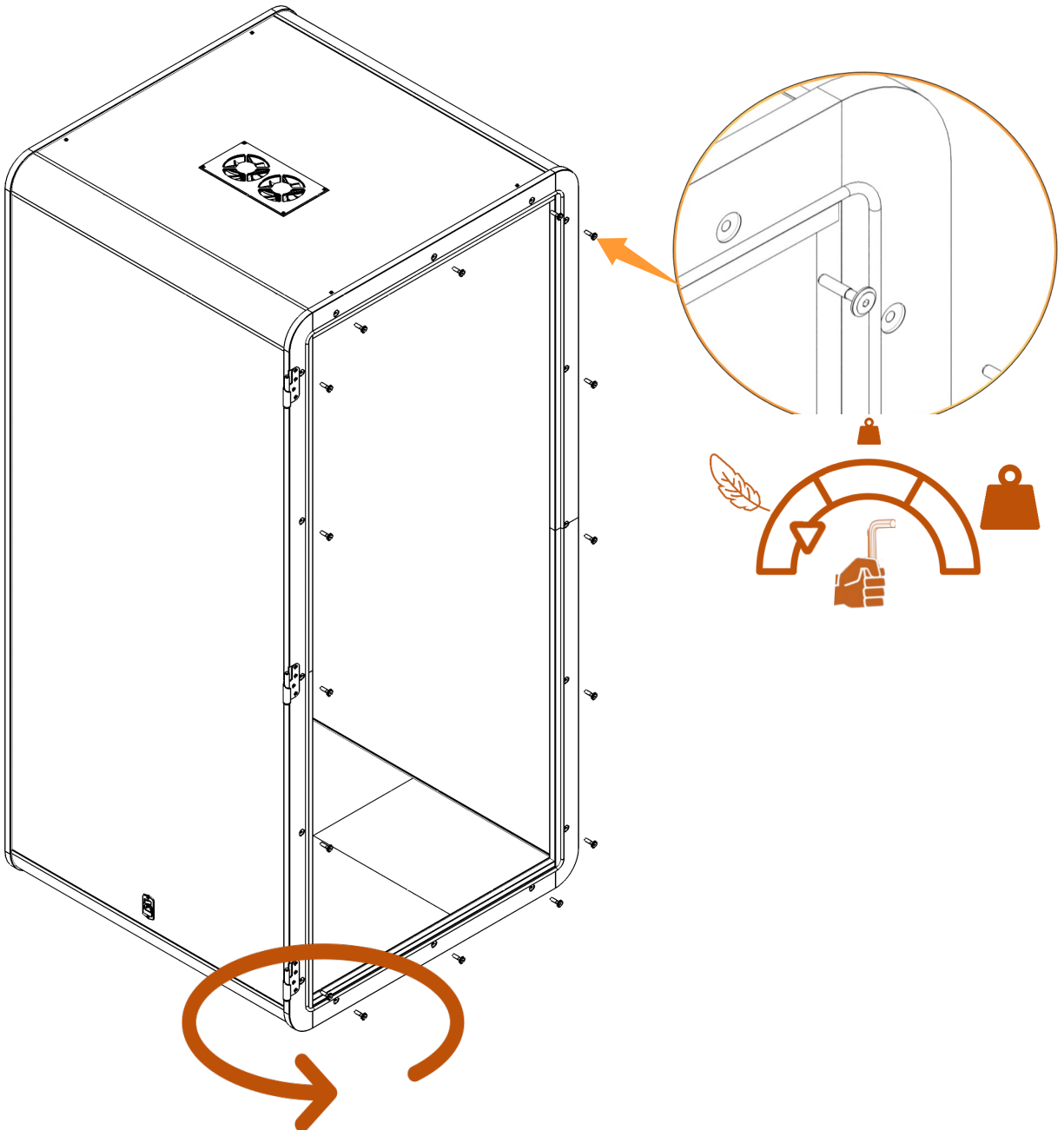
1x B



16x M6x30



4mm

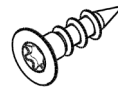


—
FACE AVANT / FRONT SIDE

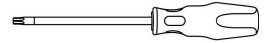
11



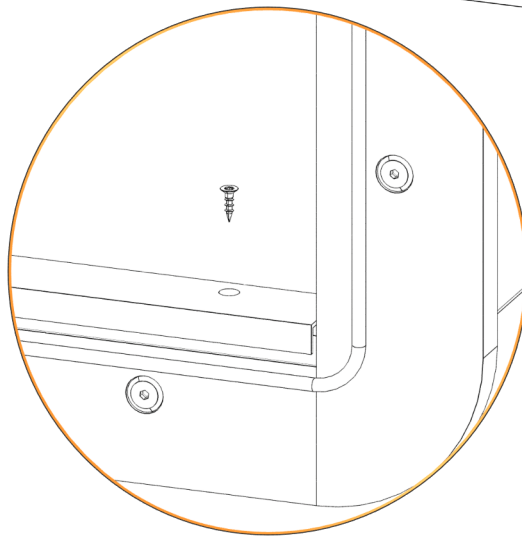
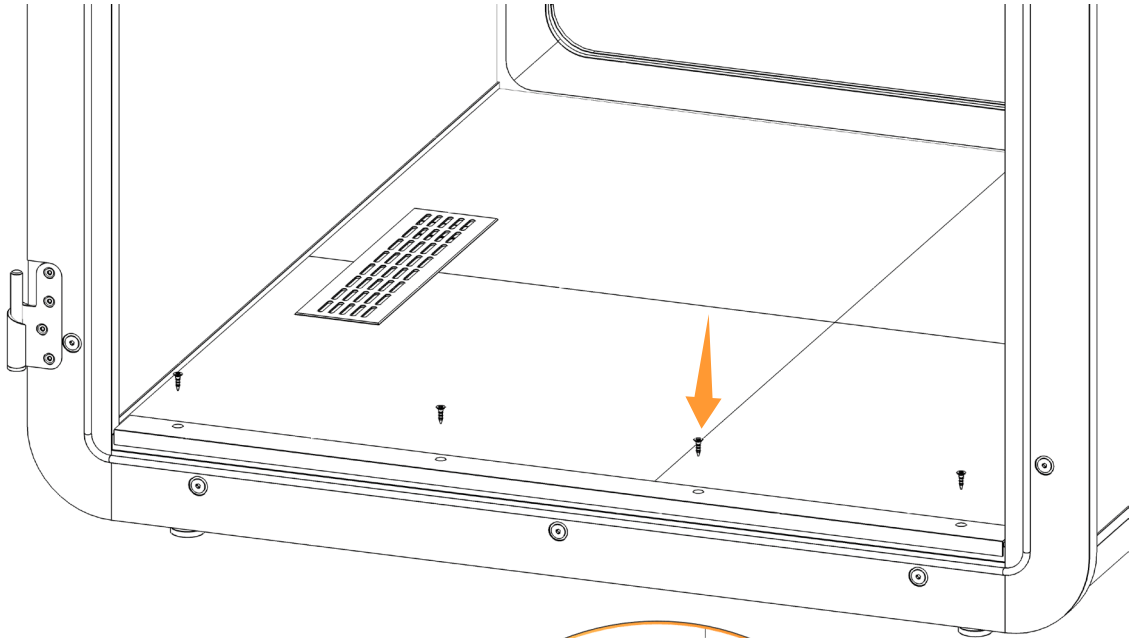
1x |



4x 4x16

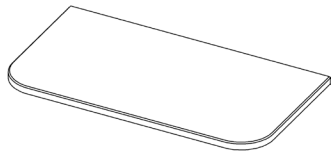


TORX T20

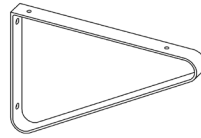


—
FACE AVANT / FRONT SIDE

12



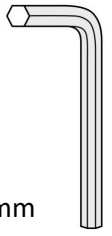
1x H



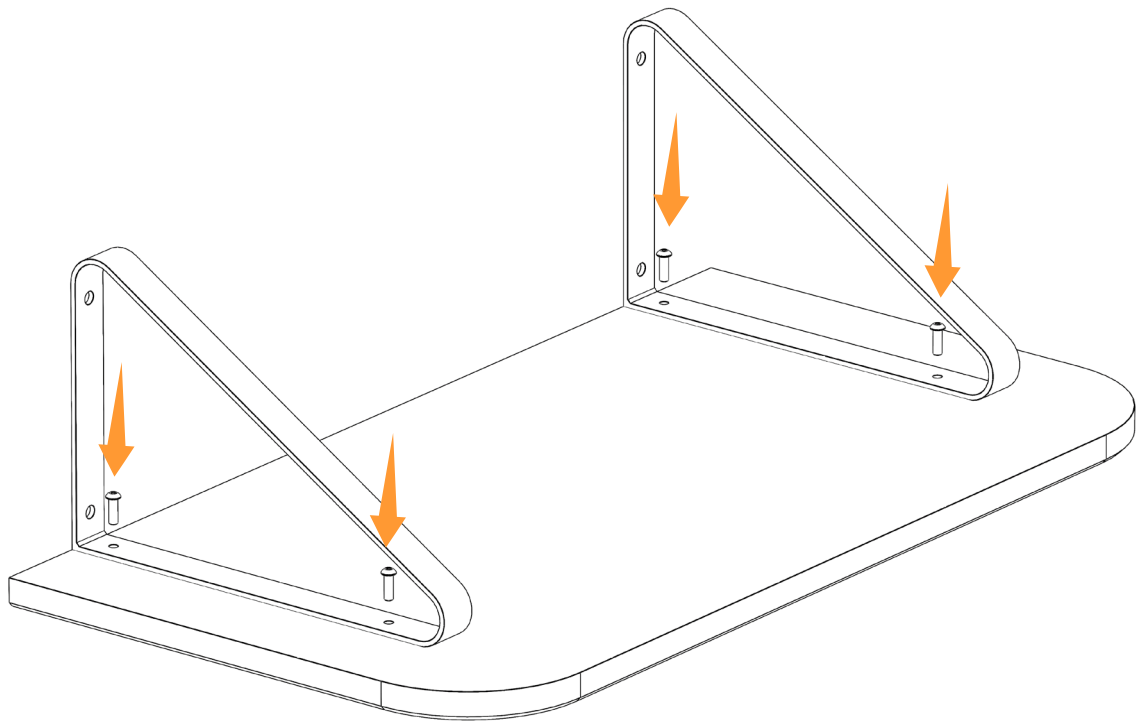
2x K



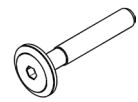
4x BHC
M5x10



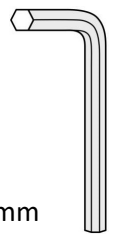
3mm



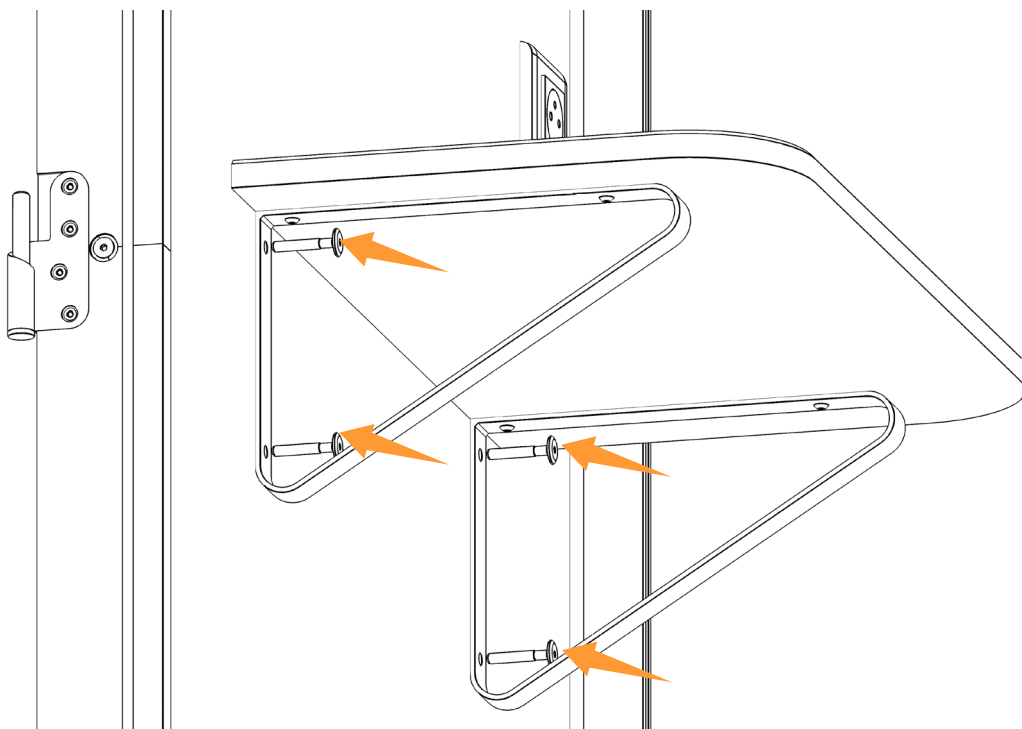
13



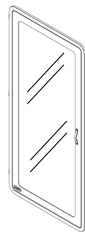
4x M6x40



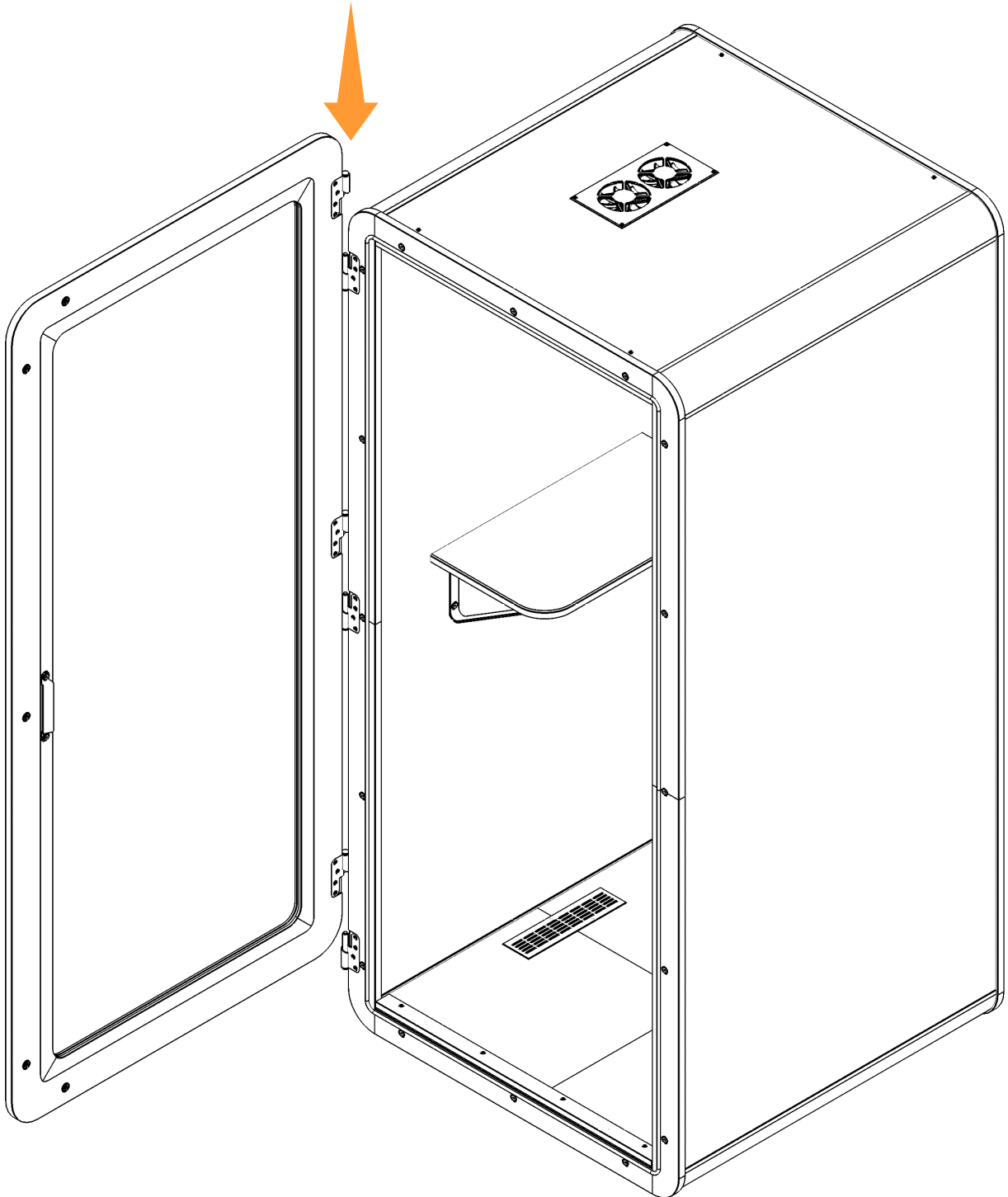
4mm



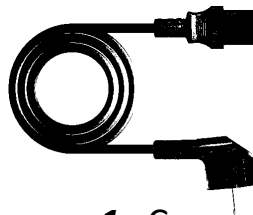
14



1x C



15



1x C



www.myo-solutions.com