

# KINÔ

## Acoustic screen

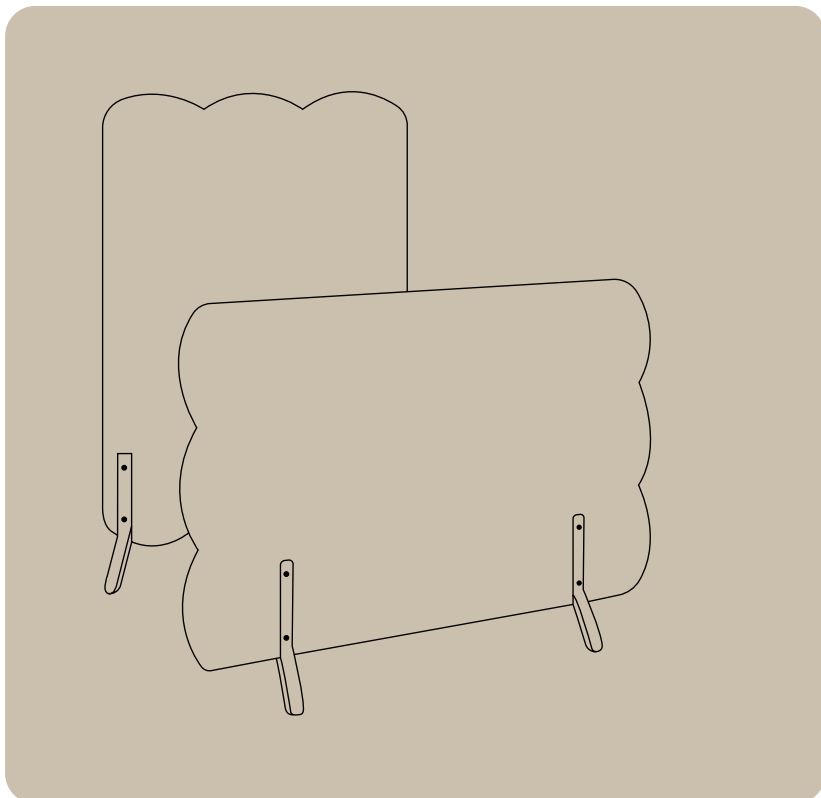
# myo

### AESTHETIC BENEFITS

Simple & elegant design  
2 elegant and timeless colors  
or fabric-covered (28 colours)  
Choice of shape and dimensions  
Personalized patterns cut out  
Wooden feet

### TECHNICAL BENEFITS

Certified acoustic performance:  
 $\alpha_w = 0.95$  - Class A - Test report EEA  
Light and nomad product  
Transport in flat packs  
Quick and easy assembly  
Product adaptation on request



MYO\_FP-05.2023



5 YEARS  
Guarantee




Since 2020

# KINÔ

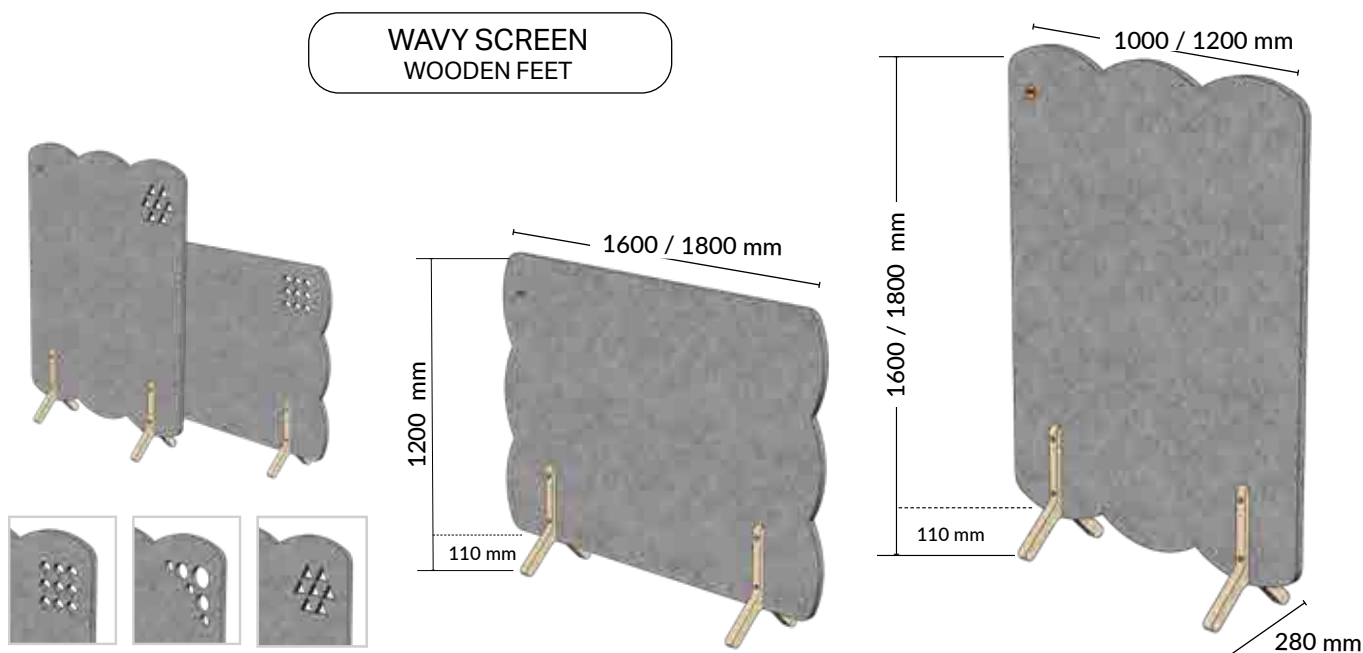
## Acoustic screen

Light, nomad and elegant, the Kinô acoustic screen combines a few assets. Acoustic, it effectively reduces the noise's reverberation. Available in multiple shapes and with many finishes, it structures and limits the spaces. Made of recycled plastic bottles, this PET product is 100% recyclable.

FIXINGS	FINISHES	OPTION	OPTIONAL FABRIC FINISH
TO BE PLACED 2 wooden feet	<p>POLYESTER Thickness: 12 mm</p> <p>2 COLORS Light grey (GY04) Dark grey (GY06)</p> 	<p>CUT OUT</p> <p><u>3 PATTERNS:</u> Wave - Disc - Triangle</p>	<p>PET covered with a fabric of the same colour on the 2 sides :</p> <p>HUSH 28 colors 80% polyester/20% viscose</p>

Our PET contains  
**60%**  
recycled polyester  
fibres

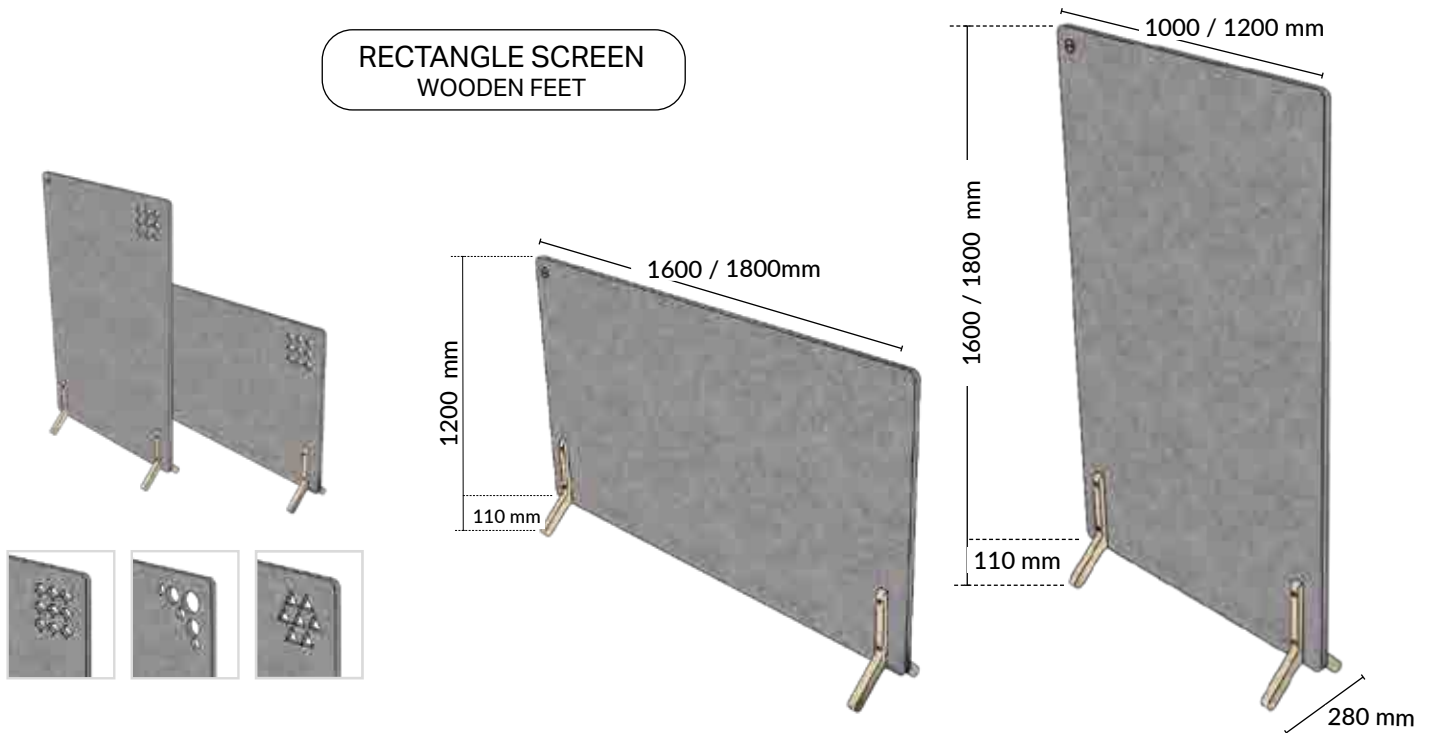
## Dimensions & Average weights





# KINÔ

## Acoustic screen

RECTANGLE SCREEN  
WOODEN FEET



KINÔ SCREEN - WOODEN FEET  
RECTANGLE / WAVY

DIMENSIONS			AVERAGE WEIGHTS (KG) WITHOUT PACKAGING
1000 x 1600 mm	✓	-	6,5
1000 x 1800 mm	✓	-	7,4
1200 x 1600 mm	✓	✓	7,4
1200 x 1800 mm	✓	✓	8,2

## Product Adaptation

For specials, the dimensions of the Kinô screen are adjustable with the following limits: maximum width = 1100 mm / total height (screen + feet) maximum = 1800 mm (beyond risk of tipping) All requests for adaptation, dimensions and / or shape, must be subject to consultation and technical validation.

# KINÔ

## Acoustic screen

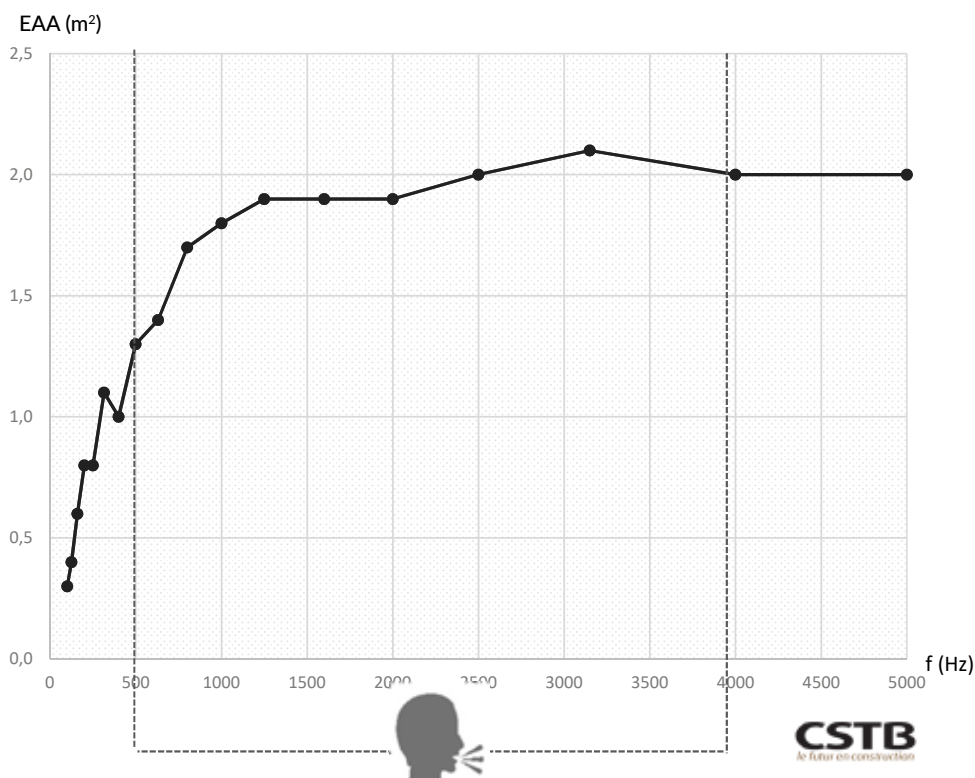
myo-solutions.com

### Acoustic

The Equivalent Absorption Area (EAA) of an element (A) is expressed in sqm. It characterises the absorbency of the element per frequency band: the higher the value, the greater the absorbency of the element.

f (Hz)	EAA :
	<b>PANEL 1300 x 800 mm ép 24 mm</b>
100	<b>0,3</b>
125	<b>0,4</b>
160	<b>0,6</b>
200	<b>0,8</b>
250	<b>0,8</b>
315	<b>1,1</b>
400	<b>1,0</b>
500	<b>1,3</b>
630	<b>1,4</b>
800	<b>1,7</b>
1000	<b>1,8</b>
1250	<b>1,9</b>
1600	<b>1,9</b>
2000	<b>1,9</b>
2500	<b>2,0</b>
3150	<b>2,1</b>
4000	<b>2,0</b>
5000	<b>2,0</b>

NF EN ISO 354



### Assembly

To allow careful assembly, myO products are delivered with: assembly instructions + a pair of cotton gloves.