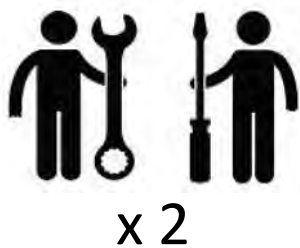


WOODY BOX [1]

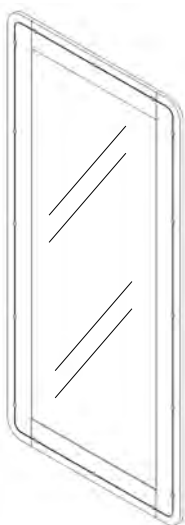


REF. NOT-WOODYBOX (0424)



myo

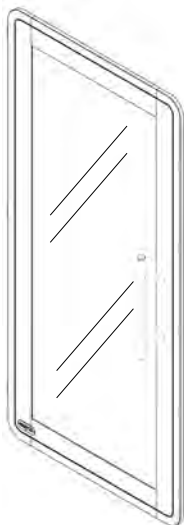
Eléments - Elements



1x A



1x B



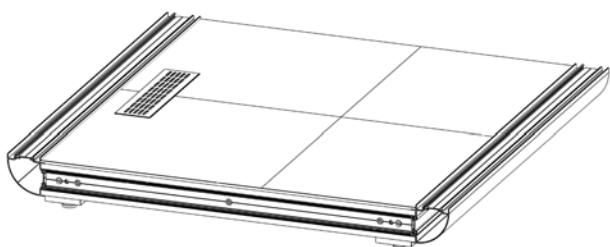
1x C



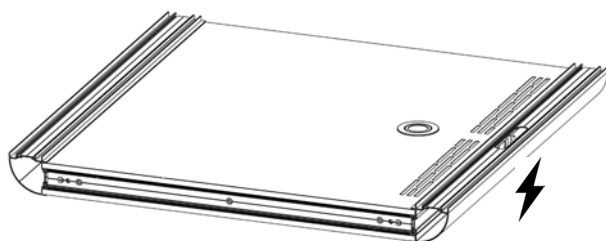
1x D



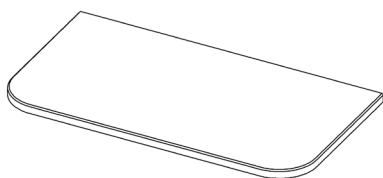
1x E



1x F



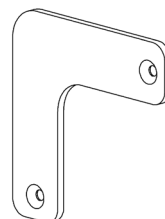
1x G



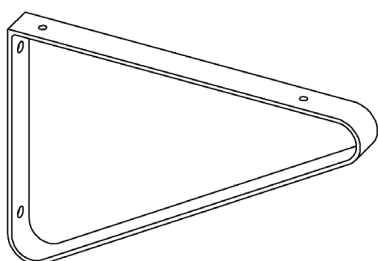
1x H



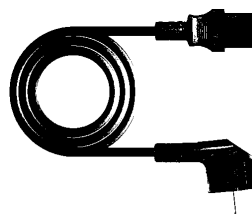
1x I



8x J

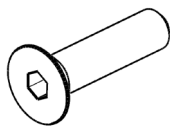


2x K

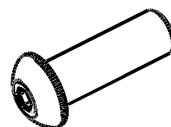


1x L

Visserie - Screws



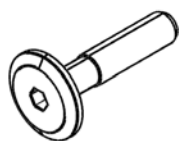
16x FHC M6x25



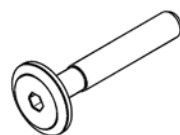
4x BHC M5x10



4x 4x16



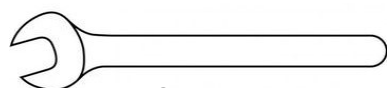
32x M6x30



4x M6x40

Outils requis – Tools needed

Non fournis – Not provided



13mm



4mm

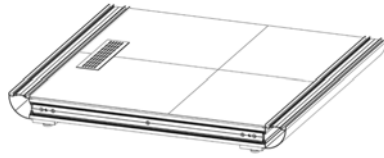


3mm

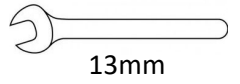


TORX T20

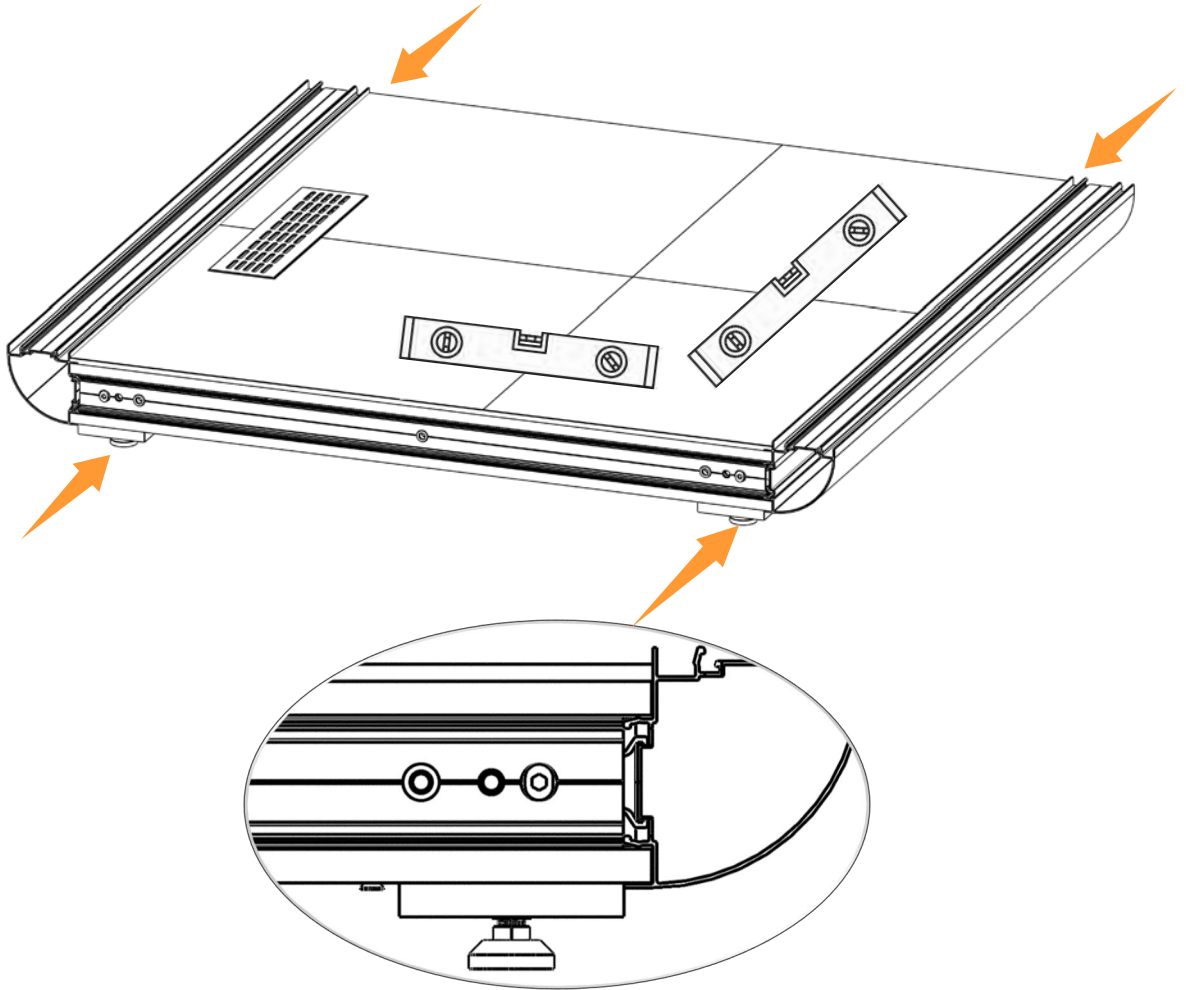
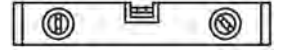
1



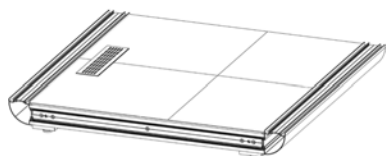
1x F



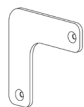
13mm



2



1x F



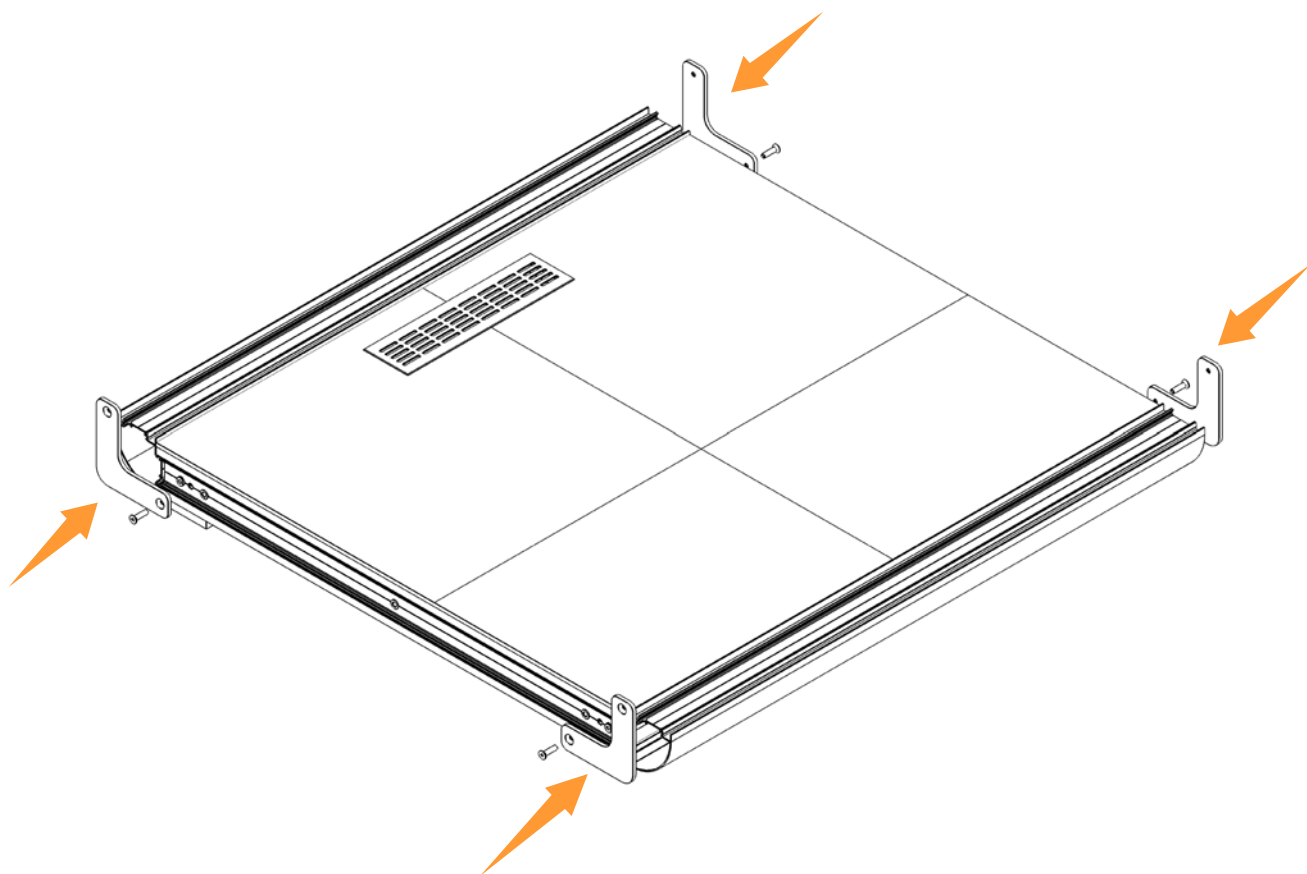
4x J



4x FHC
M6x25



4mm



3



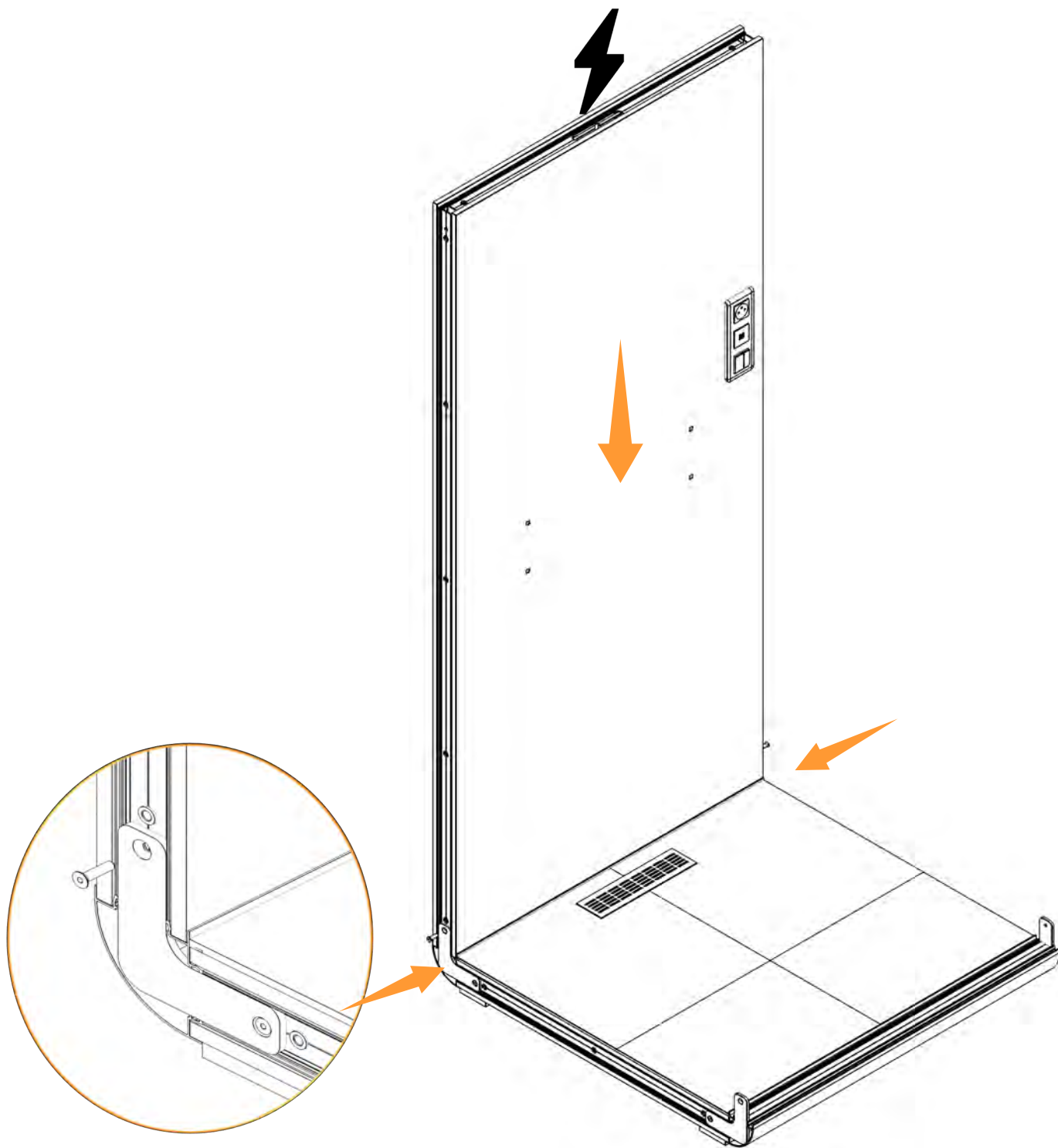
1x E



2x FHC M6x25



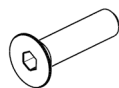
4mm



4



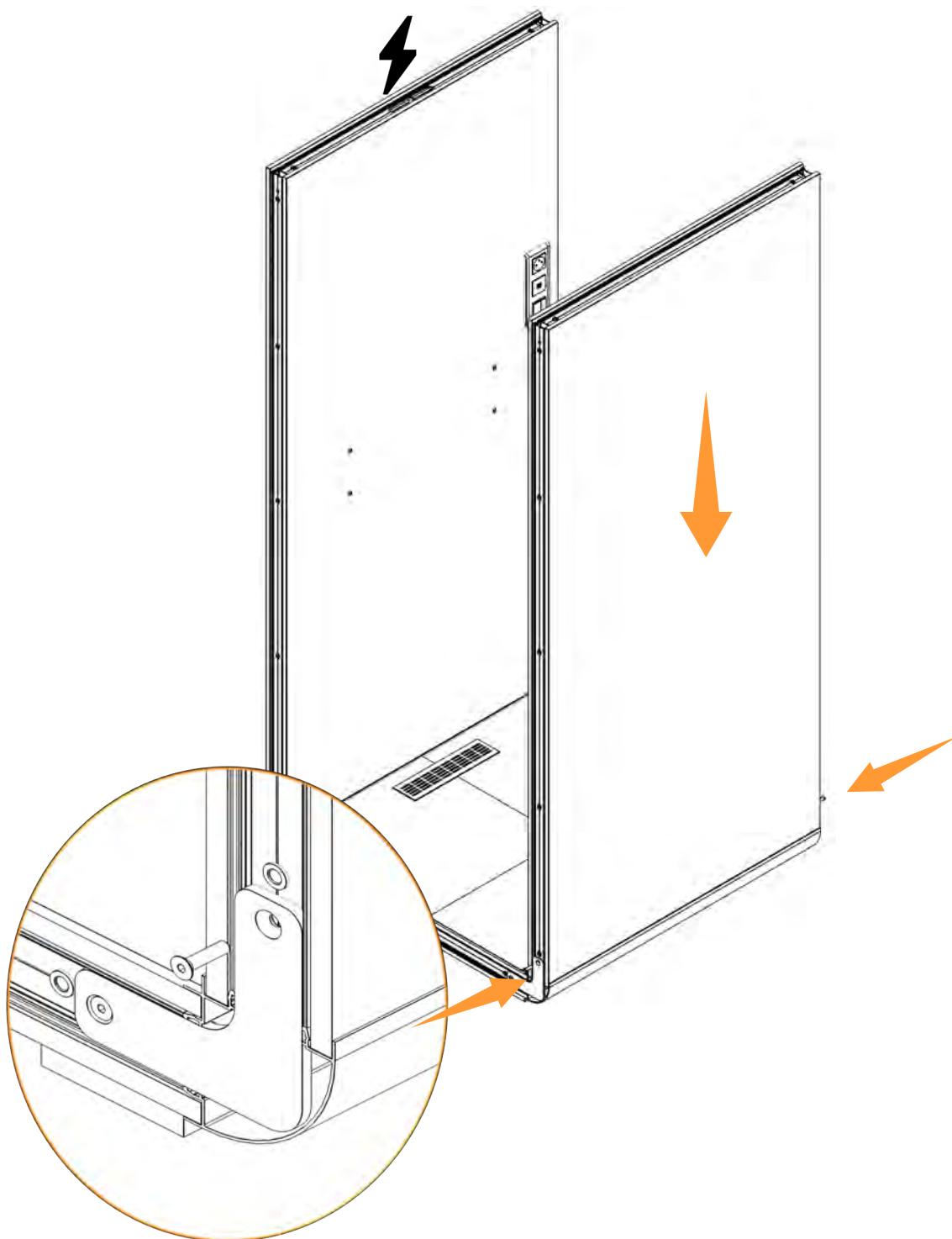
1x D



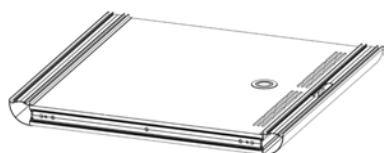
2x FHC M6x25



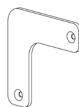
4mm



5



1x G



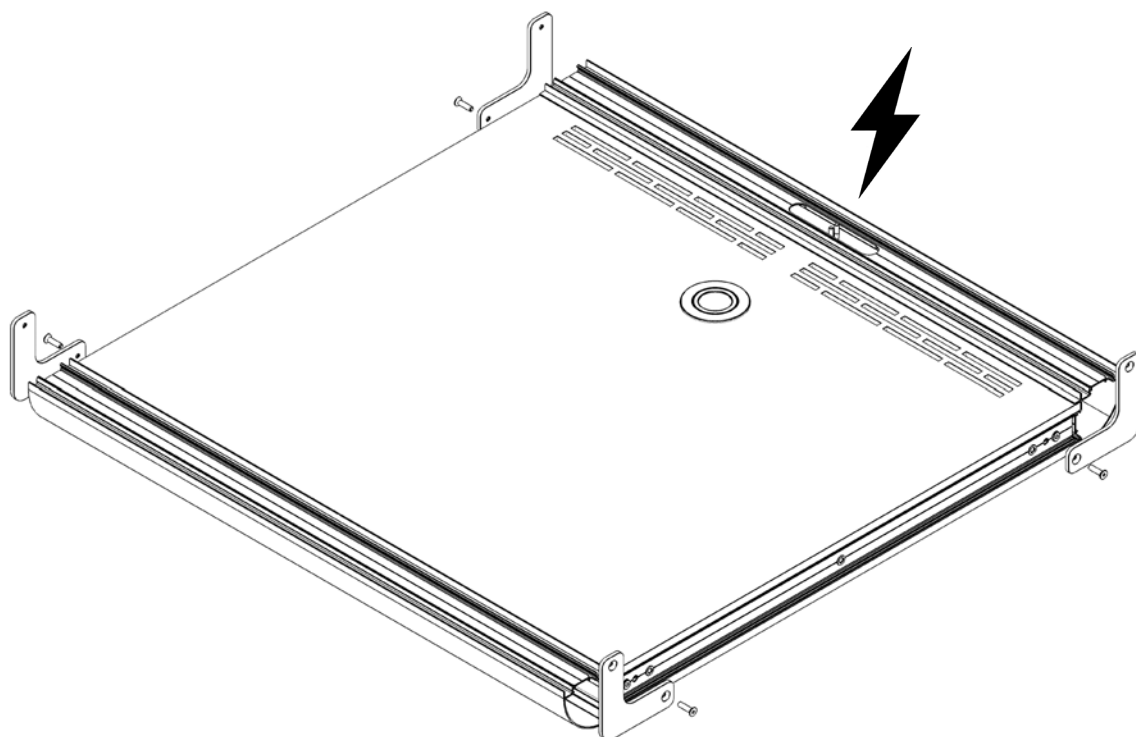
4x J



4x FHC
M6x25

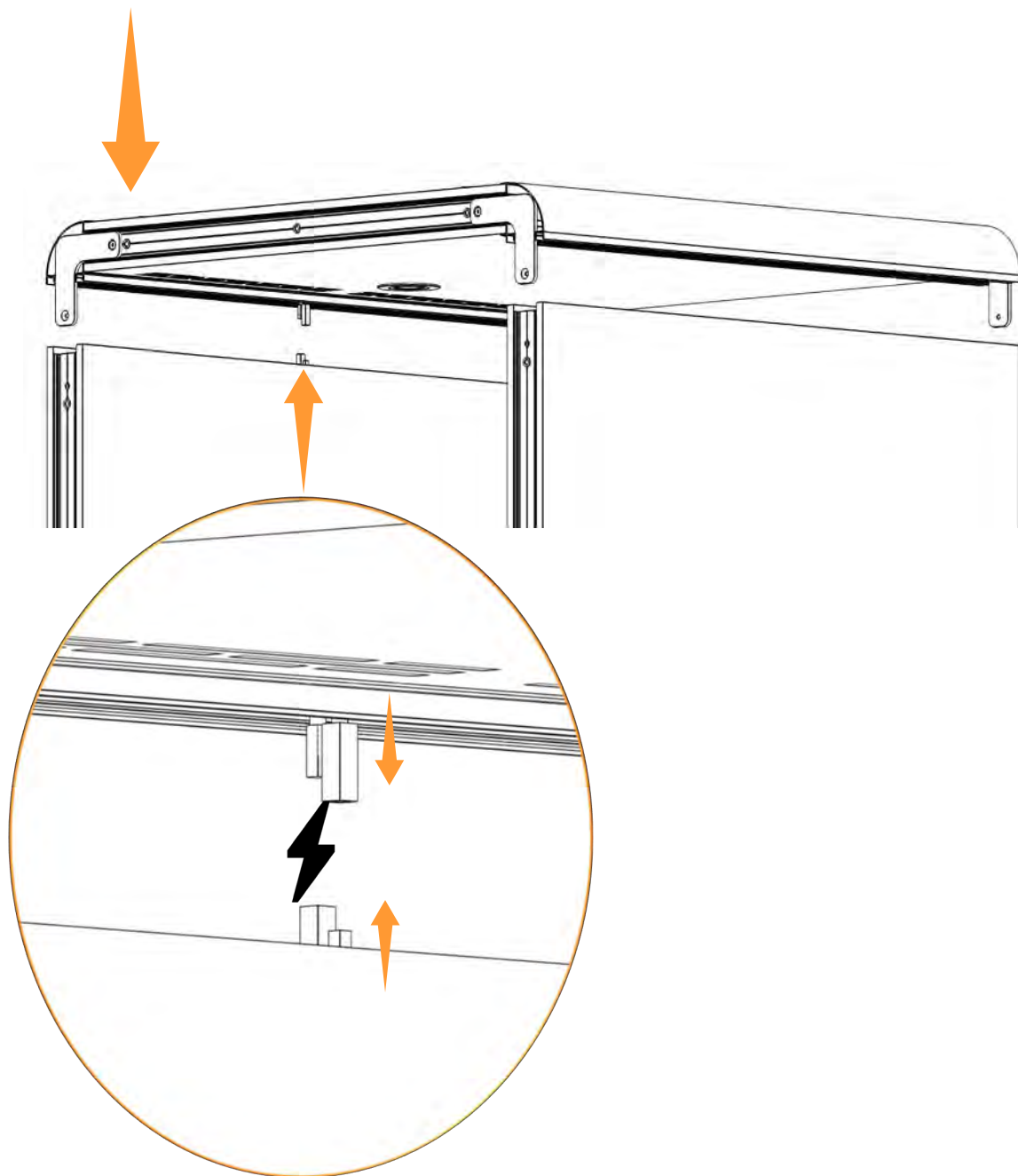


4mm



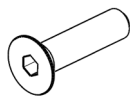
PLAFOND / CEILING

6



PLAFOND / CEILING

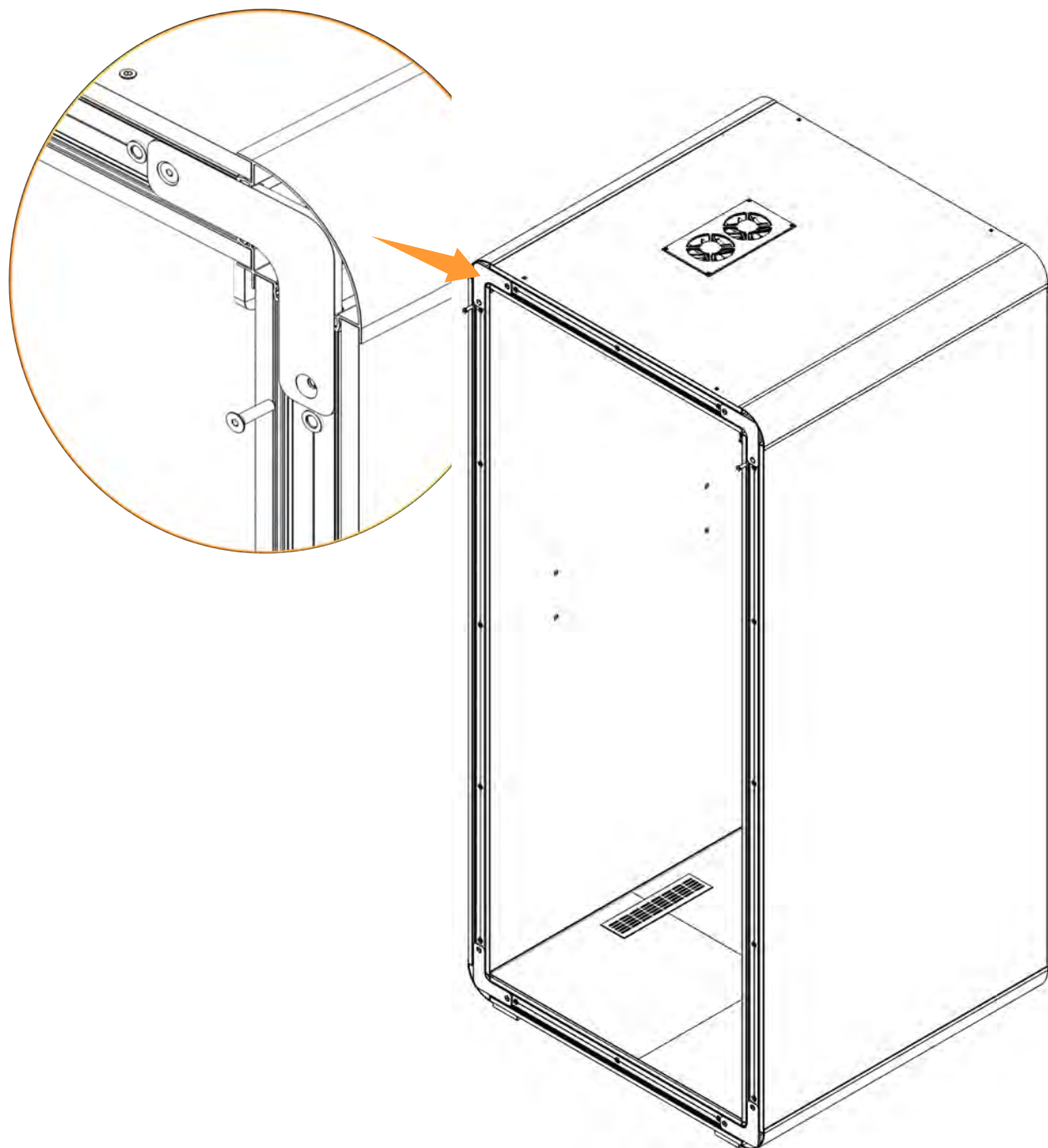
7



4x FHC M6x25

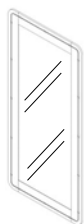


4mm

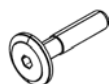


—
FACE AVANT / FRONT SIDE

8



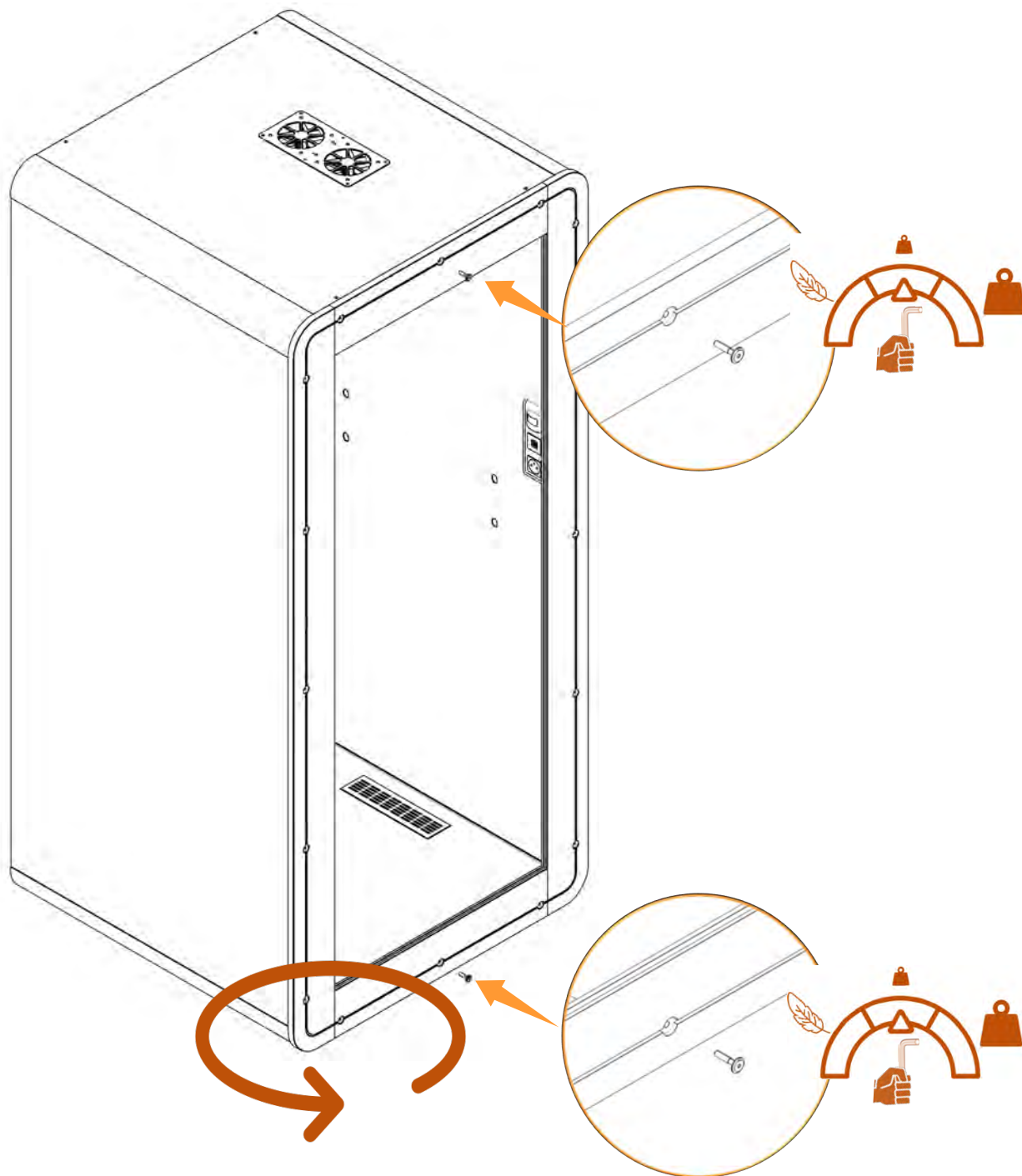
1x A



2x M6x30

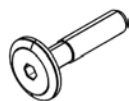


4mm



—
FACE ARRIERE / BACK SIDE

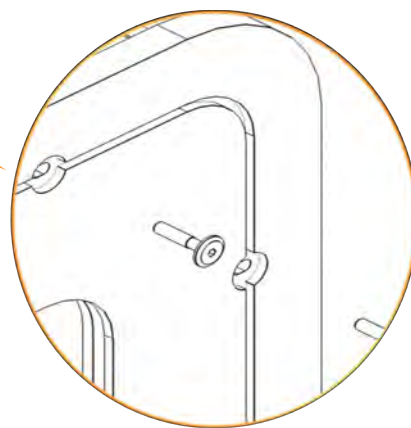
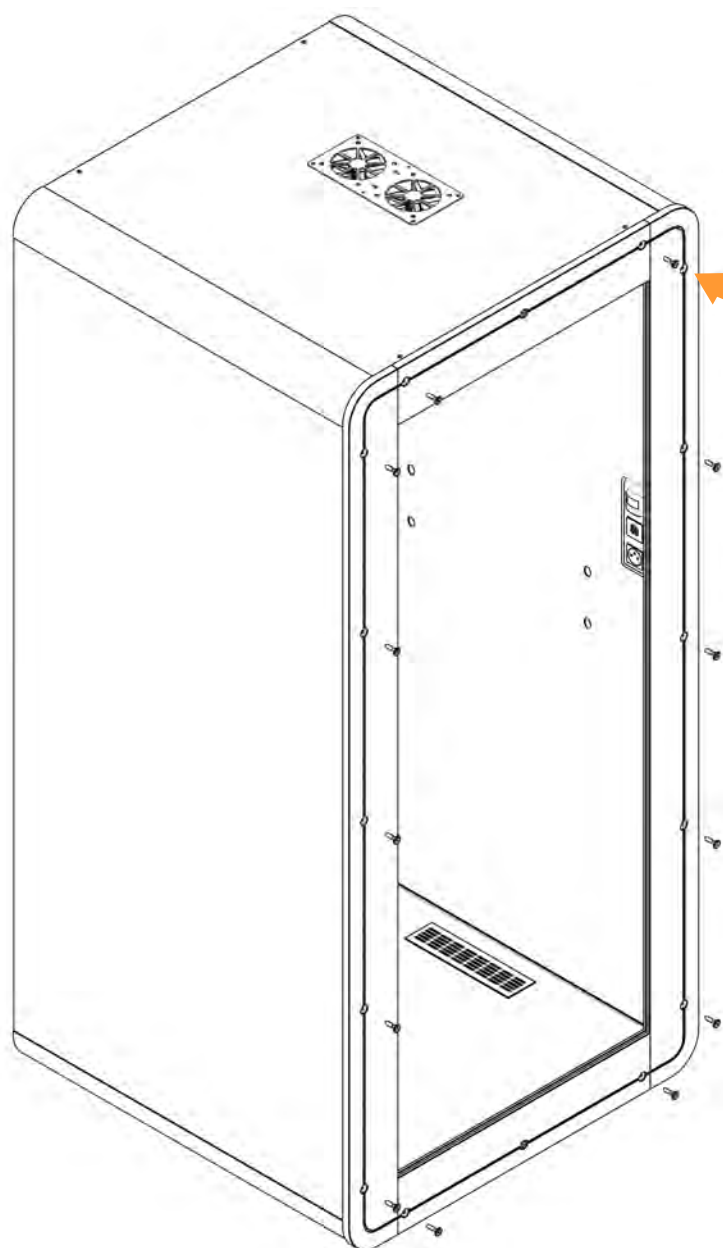
9



14x M6x30



4mm

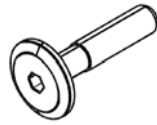


—
FACE ARRIERE / BACK SIDE

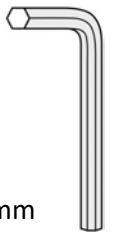
10



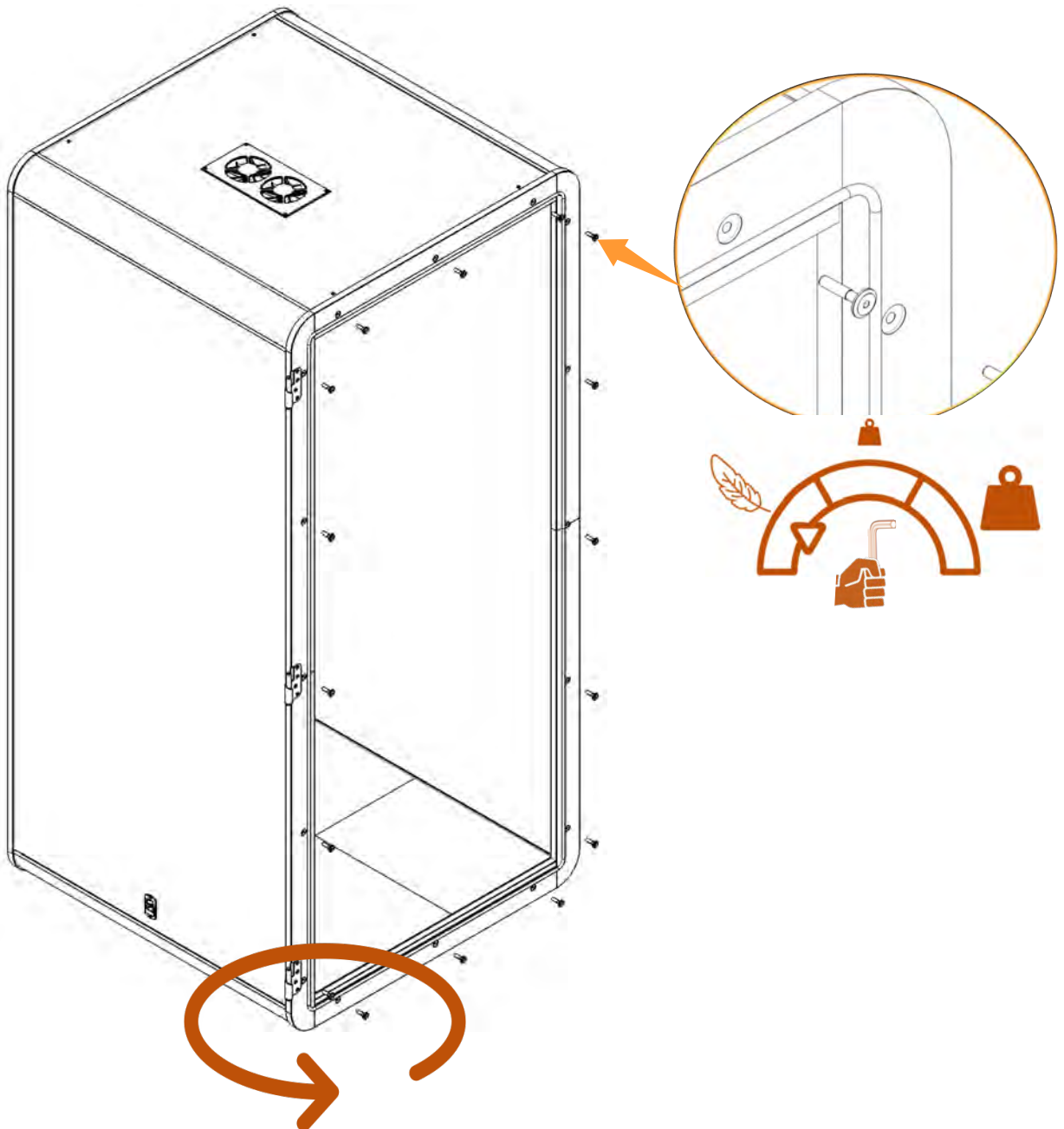
1x B



16x M6x30



4mm

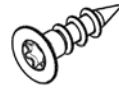


—
FACE AVANT / FRONT SIDE

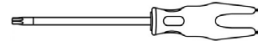
11



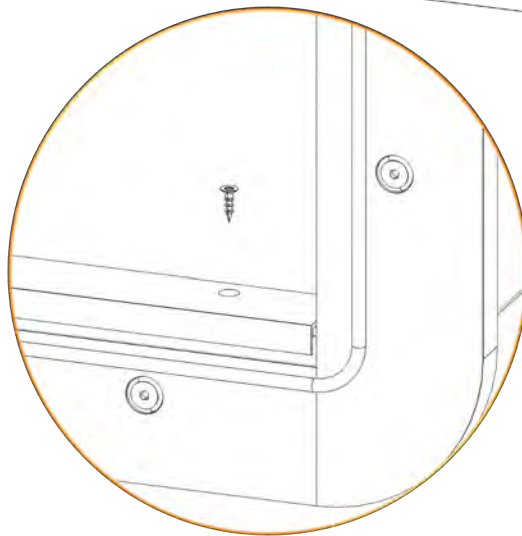
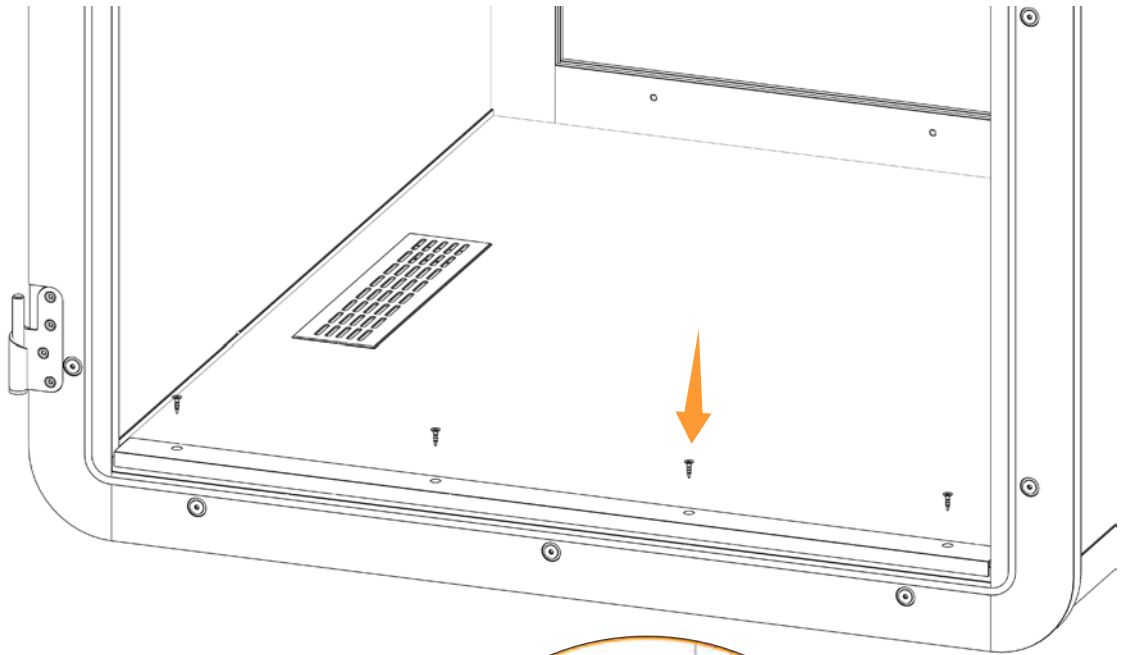
1x |



4x 4x16

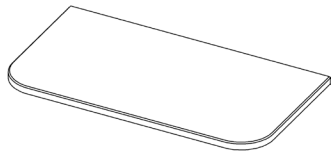


TORX T20

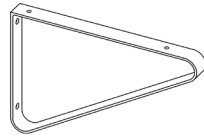


—
FACE AVANT / FRONT SIDE

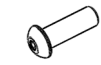
12



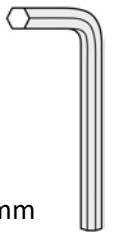
1x H



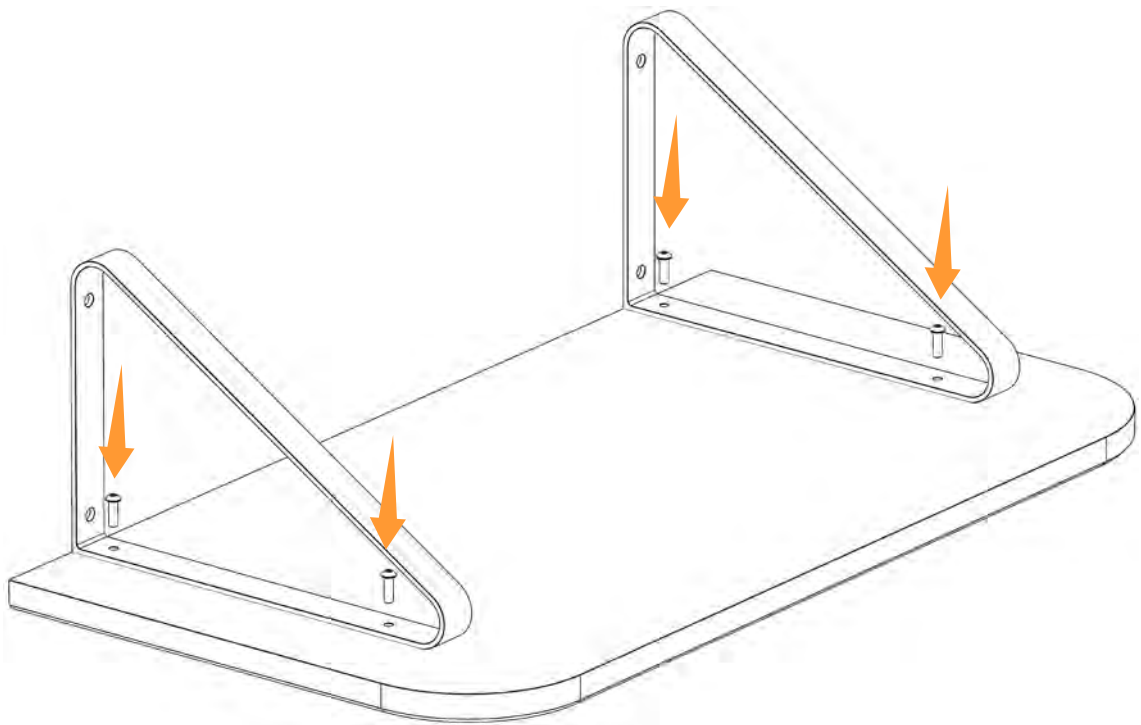
2x K



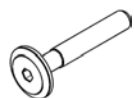
4x BHC
M5x10



3mm



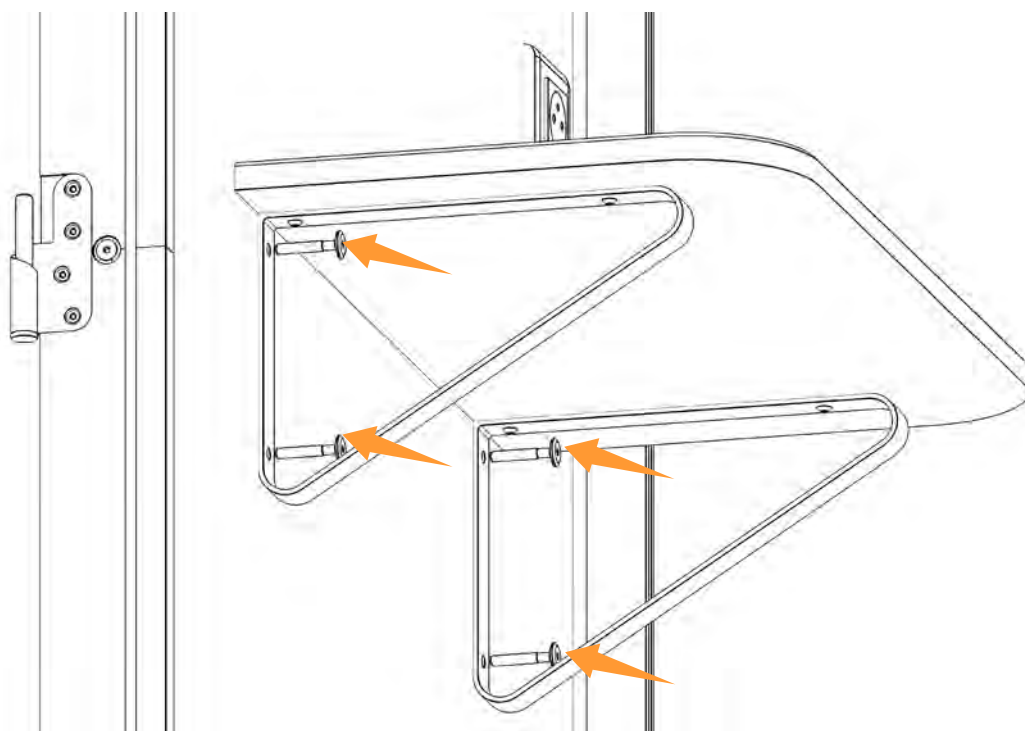
13



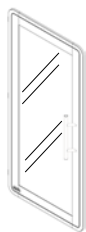
4x M6x40



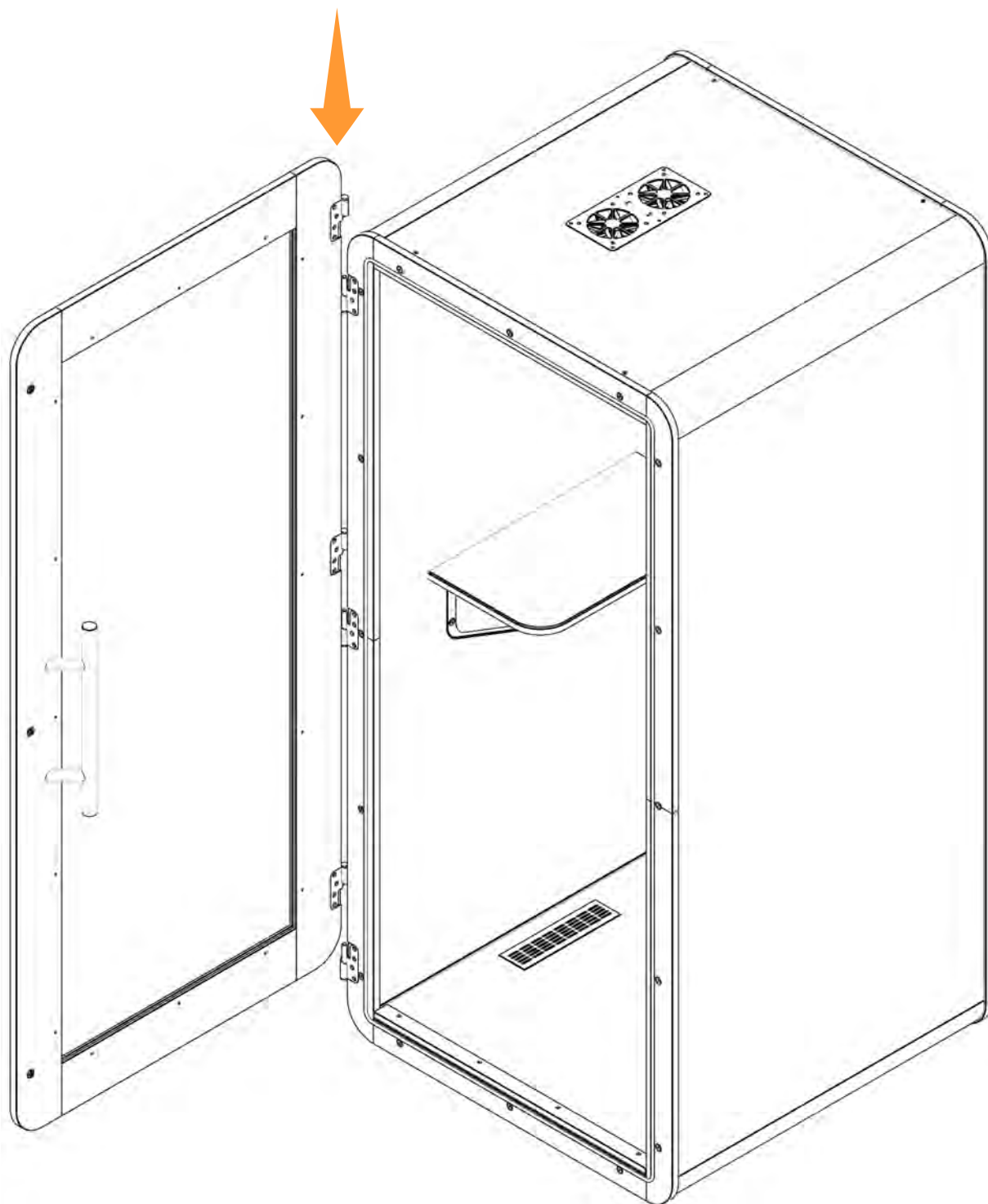
4mm



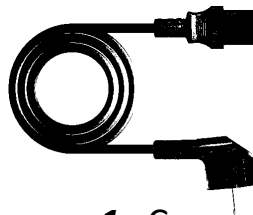
14



1x C



15



1x C



www.myo-solutions.com